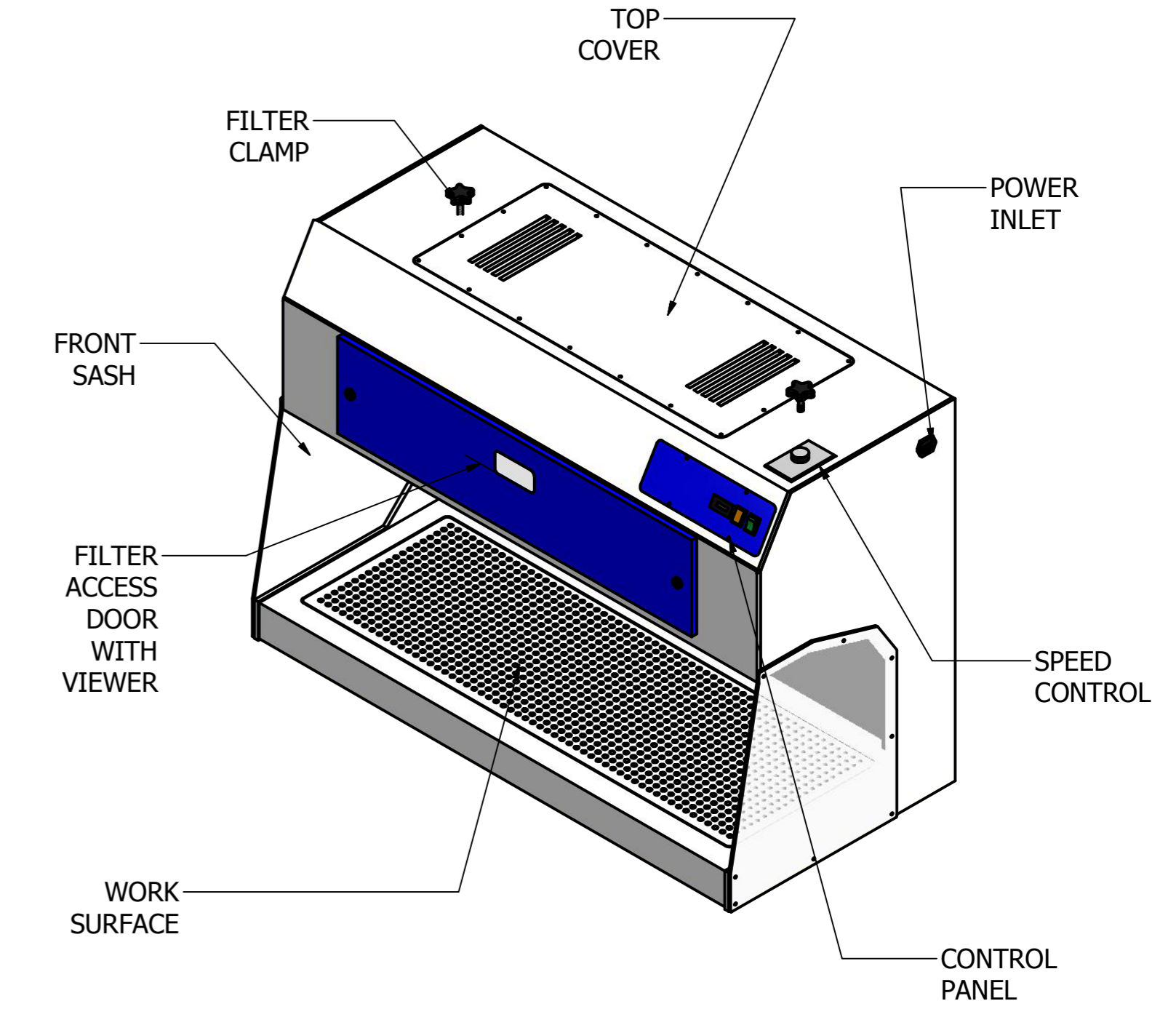
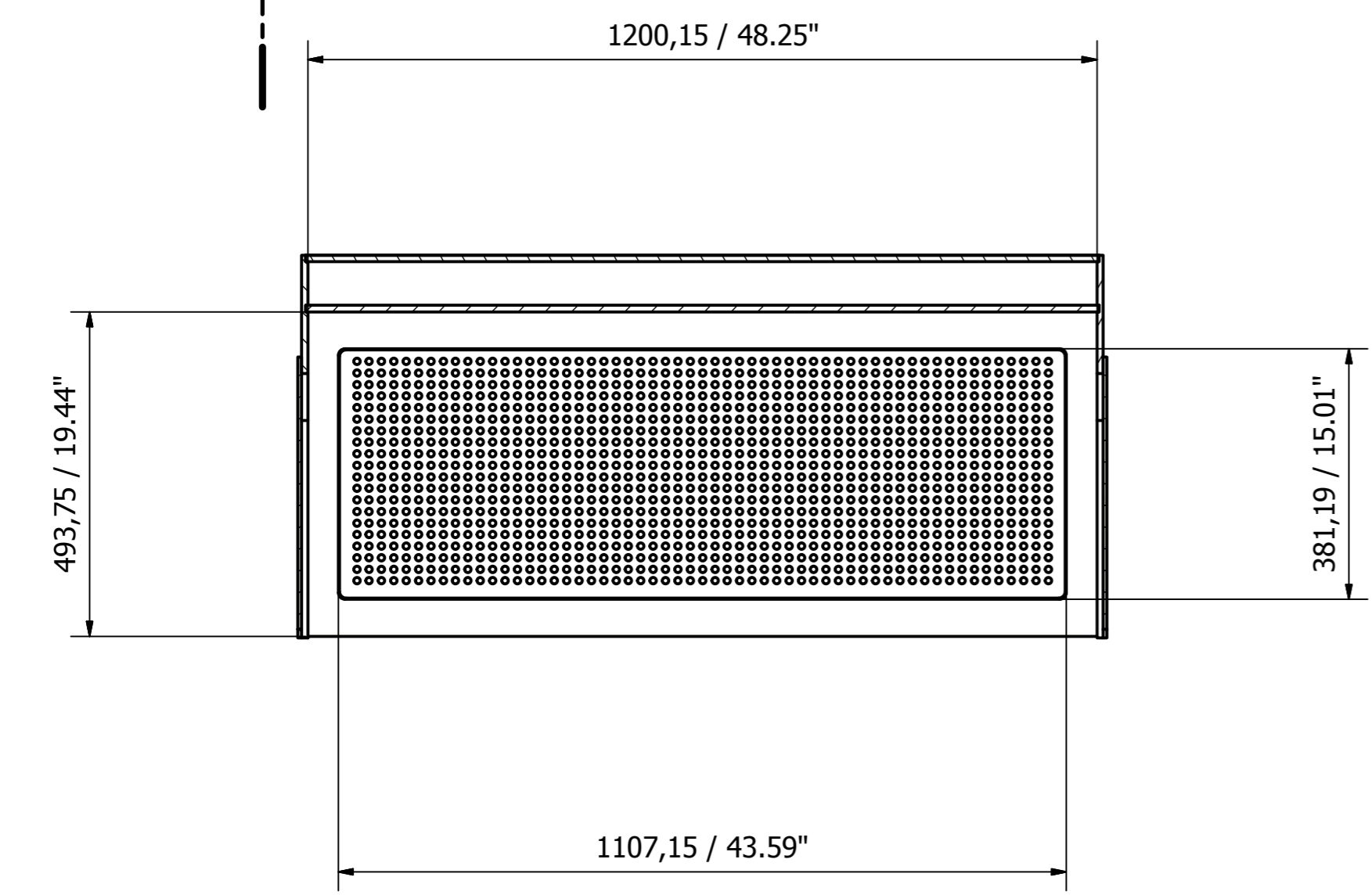
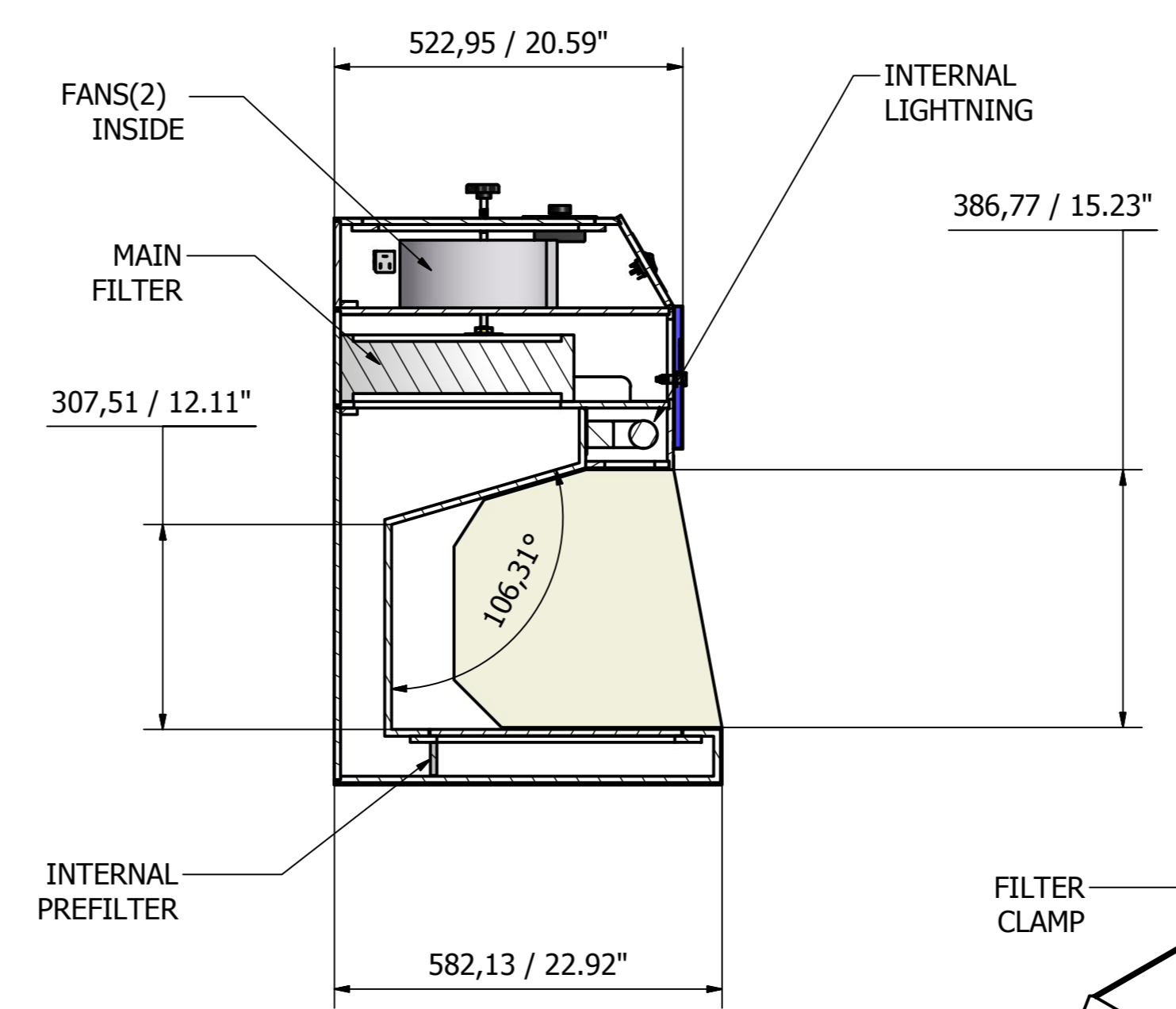
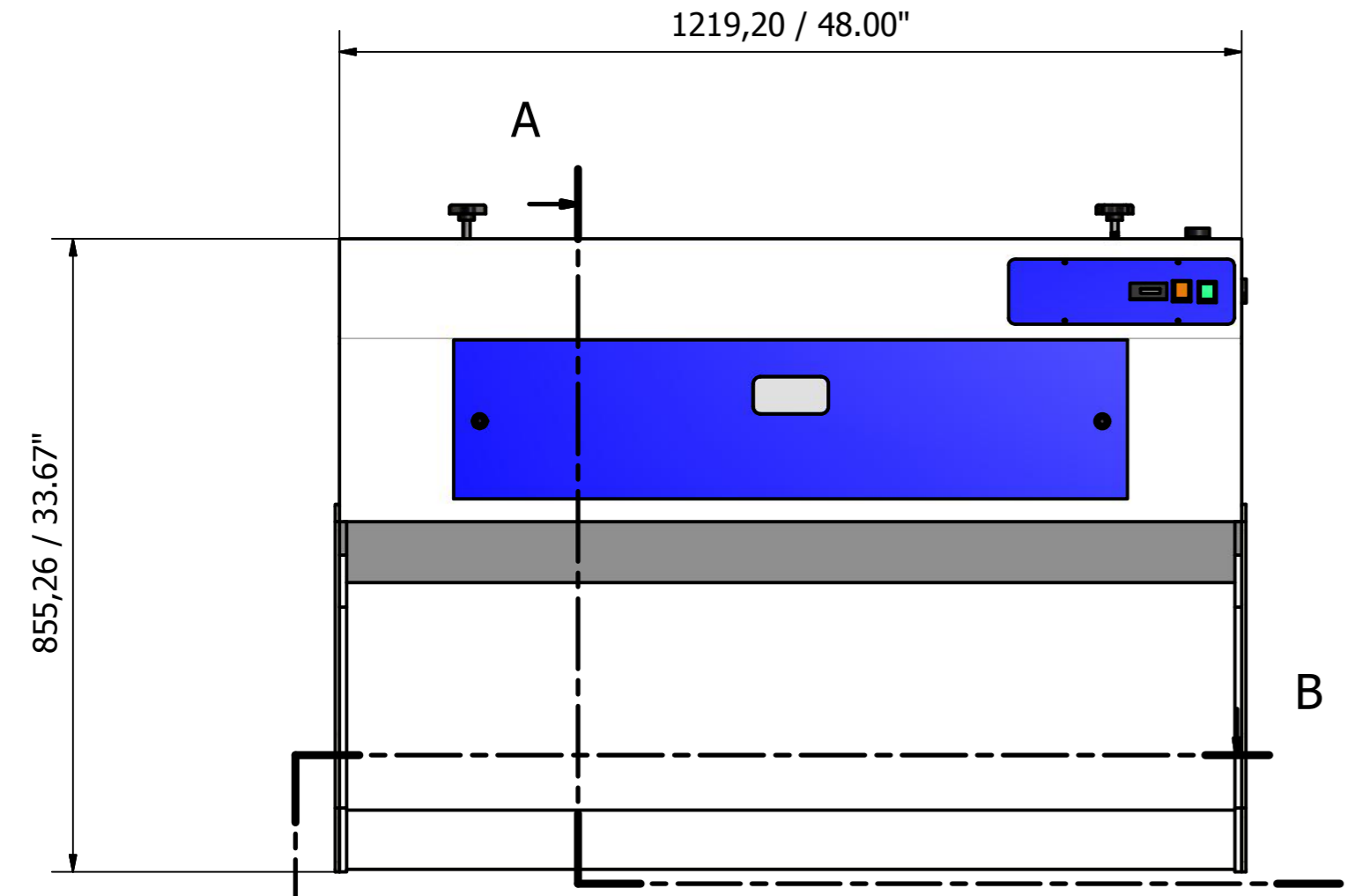


REVISION HISTORY				
ZONE	REV	DESCRIPTION	DATE	APPROVED
DESIGN	1	UPDATE	6/29/2017	P CH
INTERNAL WS	2	ADD PREFILTER	5/29/2018	P CH

- NOTES :**
- 1.0 CUSTOMER:
 - 2.0 SUBMIT DRAWINGS FOR APPROVAL.
 - 3.0 INCLUDED:
 - 3.1 BODY BUILT WITH 3/8" WHITE POLYPROPYLENE, SEAMLESS, NON-POROUS WATERTIGHT INDIIDE, TERMALLY FUSE.
 - 3.2 SEAMLESS POLYPRO WORKSURFACE.
 - 3.3 INTERNAL LIGHTING.
 - 3.4 SPEED CONTROL.
 - 3.5 POWER SWITCH ON/OFF.
 - 3.6 FRONT SASH AND SIDES PANELS MADE IN CLEAR POLYCARBONATE.
 - 4.0 ELECTRICAL REQUIREMENT 110 VOLT, 60 HZ.
 - 5.0 AST8 200XL HEPA FILTER.



Designed by CFG	Checked by	Approved by	Date 3/22/2018	Date
AIR SCIENCE USA		DWS48PP DOWN FLOW WORKSTATION		
		DWS.PP48-GAssem	Edition 2	Sheet 1 / 1