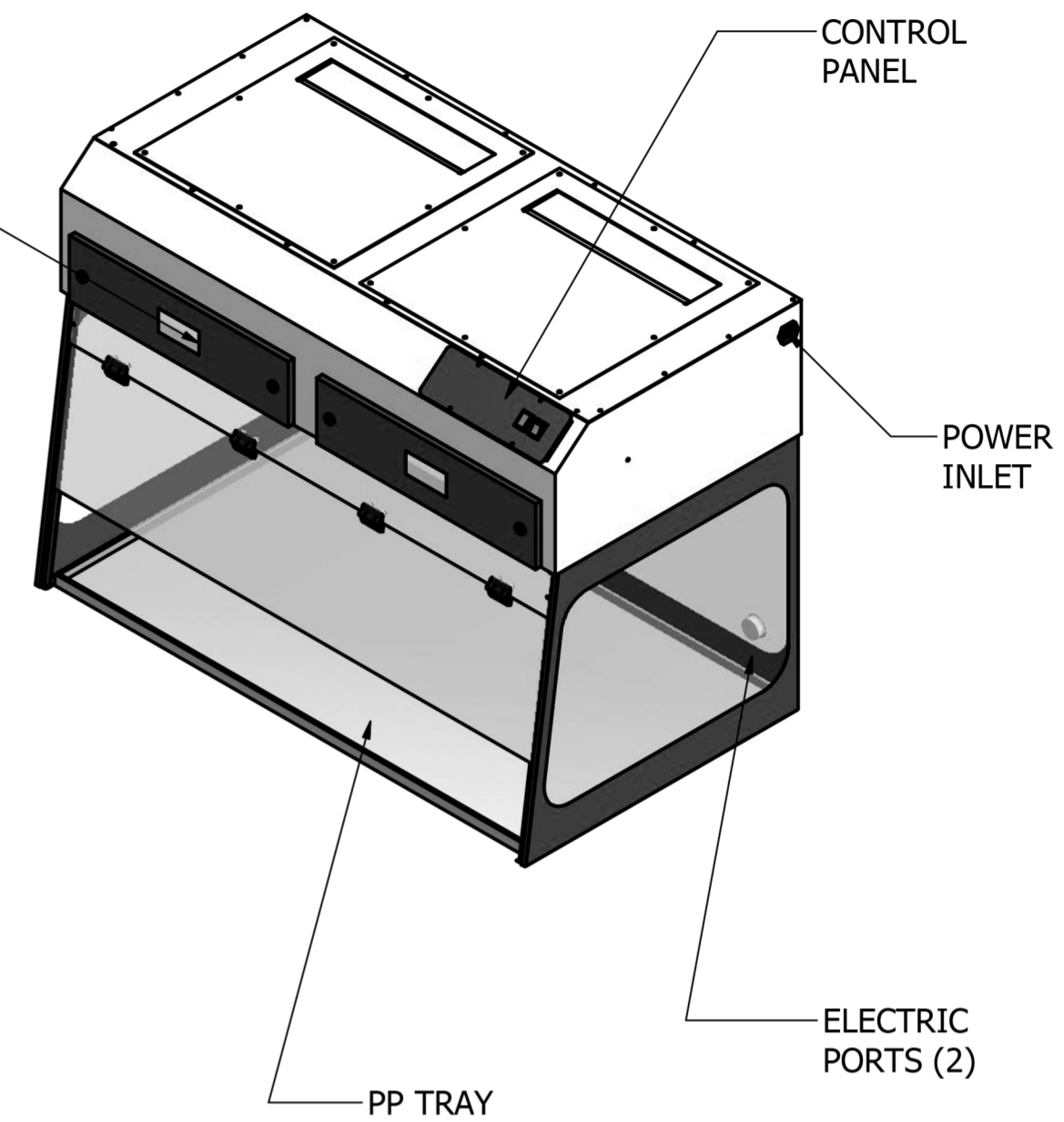


A-A (1 : 10)



- NOTES:**
- STANDARD ON ALL UNITS:
 - 1.0 CONSTRUCTION: EPOXY COATED MILD STEEL HEAD UNIT AND COLUMNS.
 - 2.0 FRONT, SIDES AND BACK PANELS MADE ON CLEAR ACRYLIC OF 1/4".
 - 3.0 CENTRIFUGAL FAN
 - 4.0 POWER SUPPLY 110V 60Hz
 - 5.0 SWITCHES, MAIN ON/OFF
 - 6.0 MONITORING, LOW AIRFLOW

Designed by CFG	Checked by	Approved by	Date 4/30/2013	Date 4/30/2013
			P5.48AXT-R12	
			P548AR12	Sheet 1 / 1