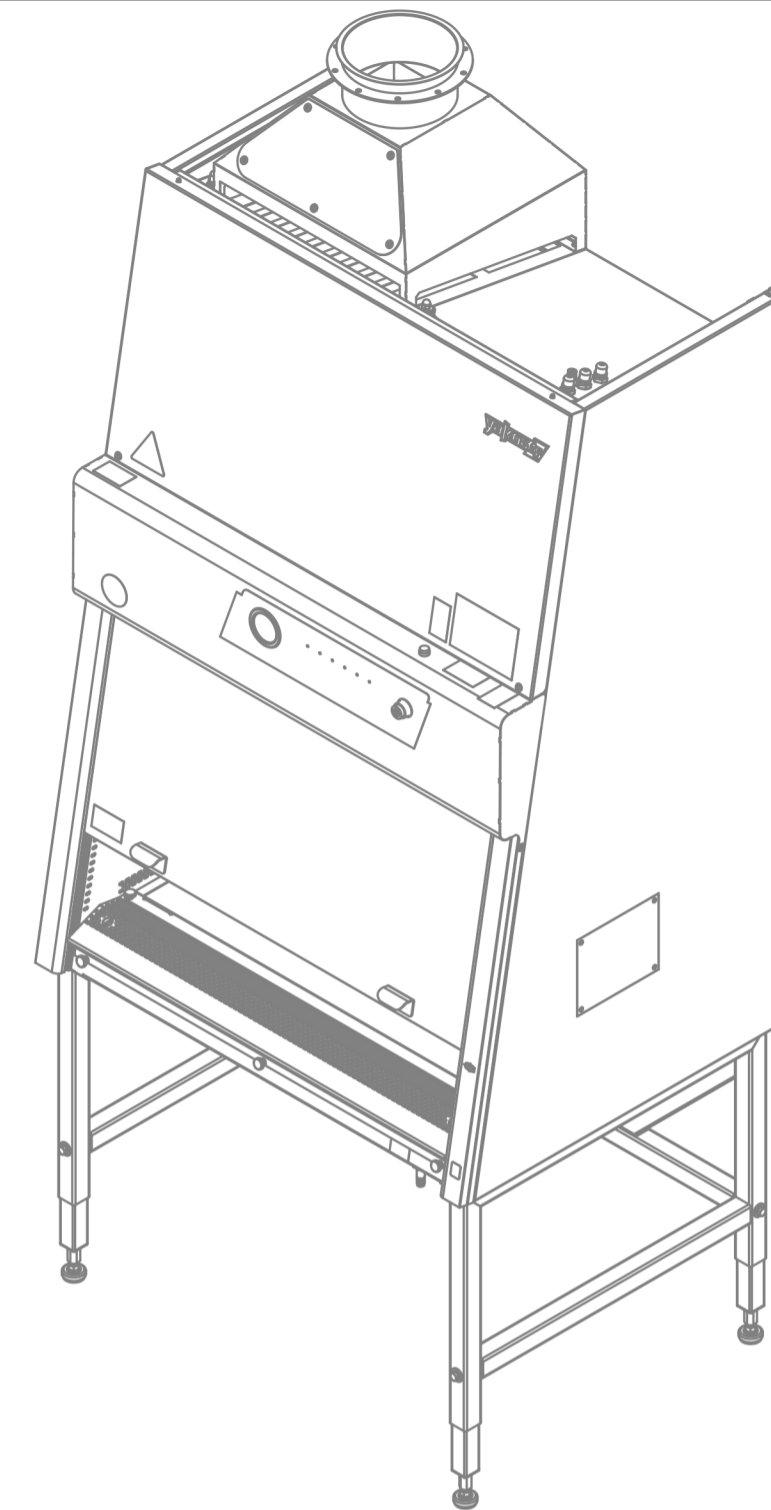
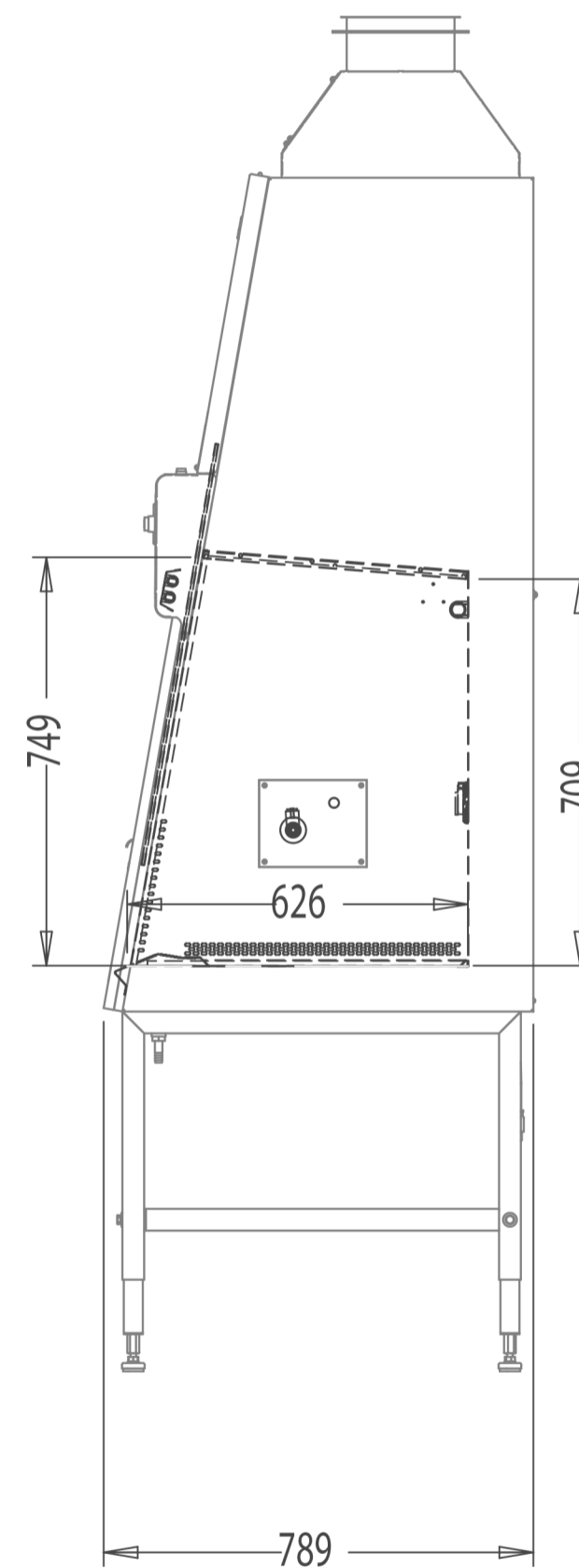


AHA-103-C

.M+1F0B8n



			Material	Modify	Modify Date	SCALE	Version	Processing	Drawing NO.	Audit
		2014/8/21				1:25			A00-C 2017/6/14-SHEET 1 OF 4	