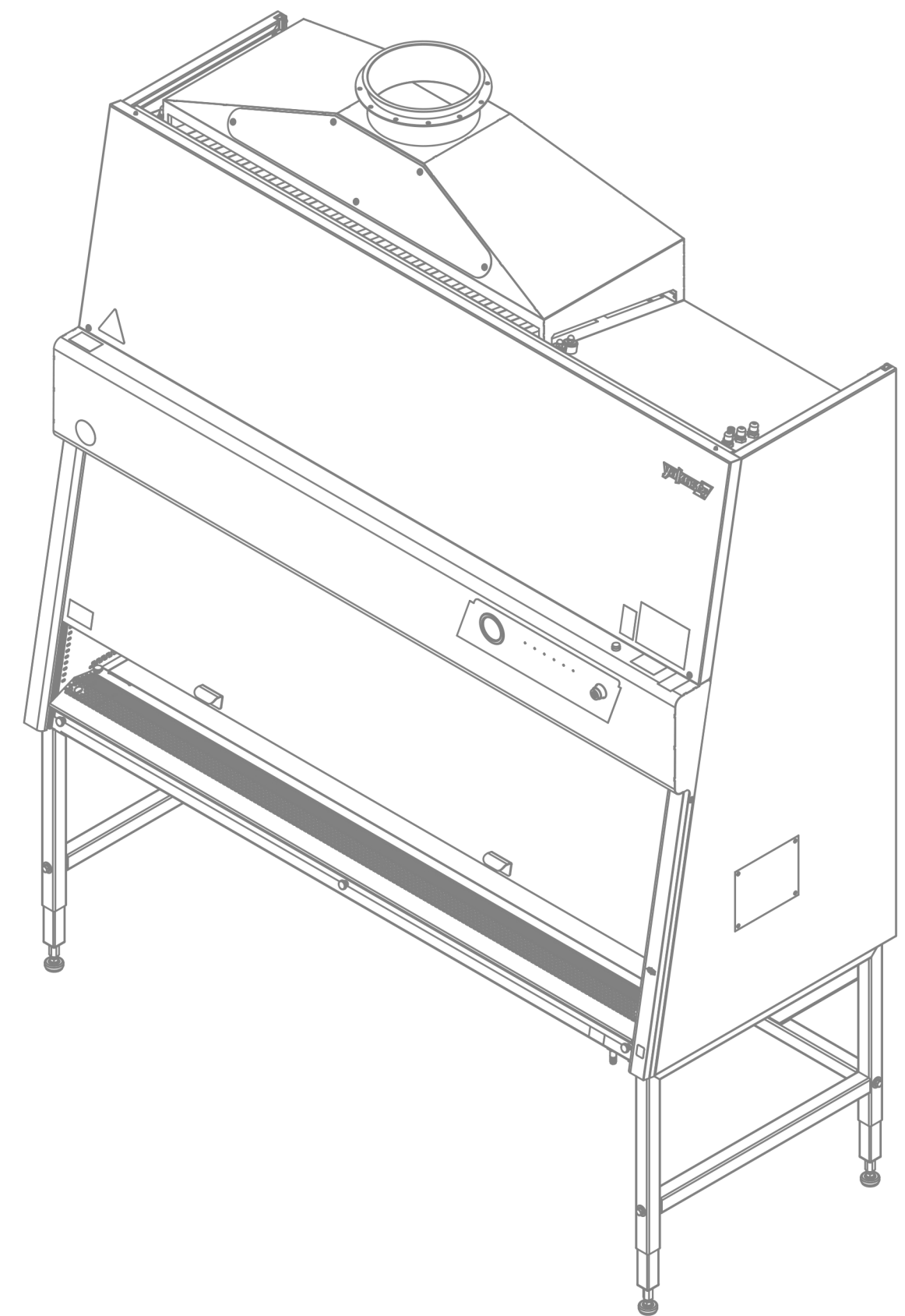
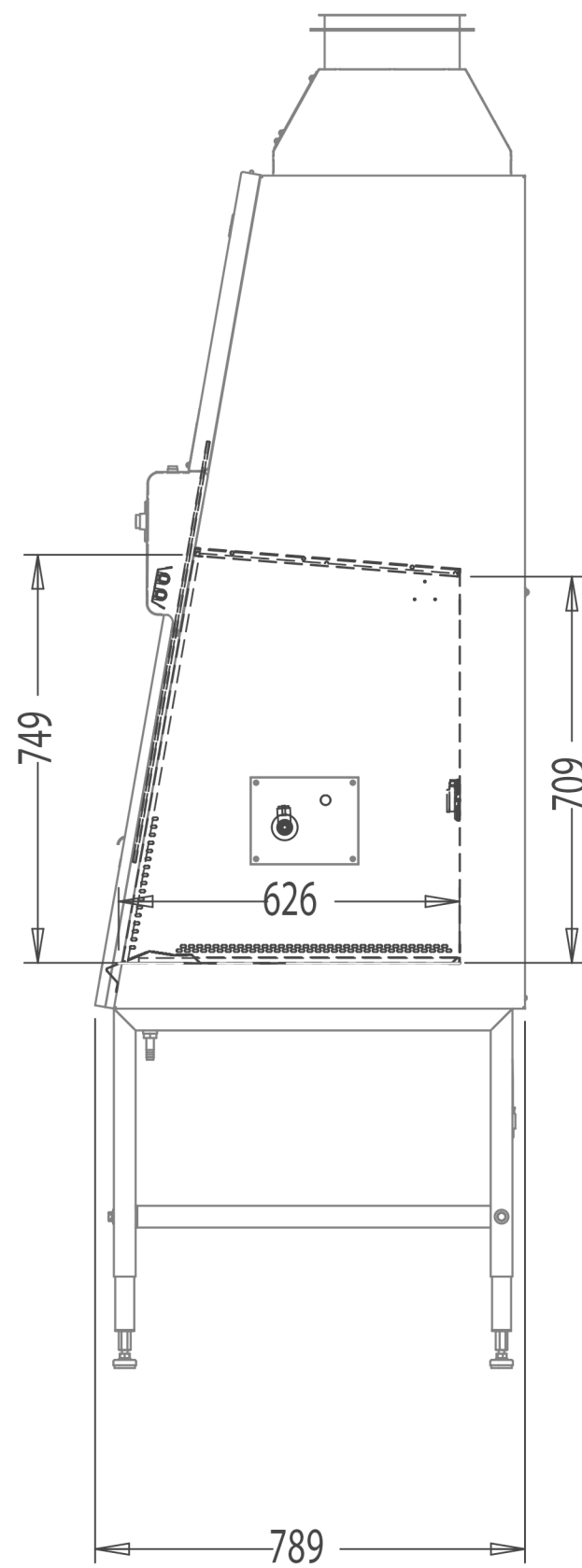


AHA-193-C



/unit:mm

Designer	Date	Material	Modify	Modify Date	SCALE	Version	Processing	/Drawing NO.	Audit
	2014/8/21				1:25			A00-C 2017/6/14-SHEET 1 OF 4	