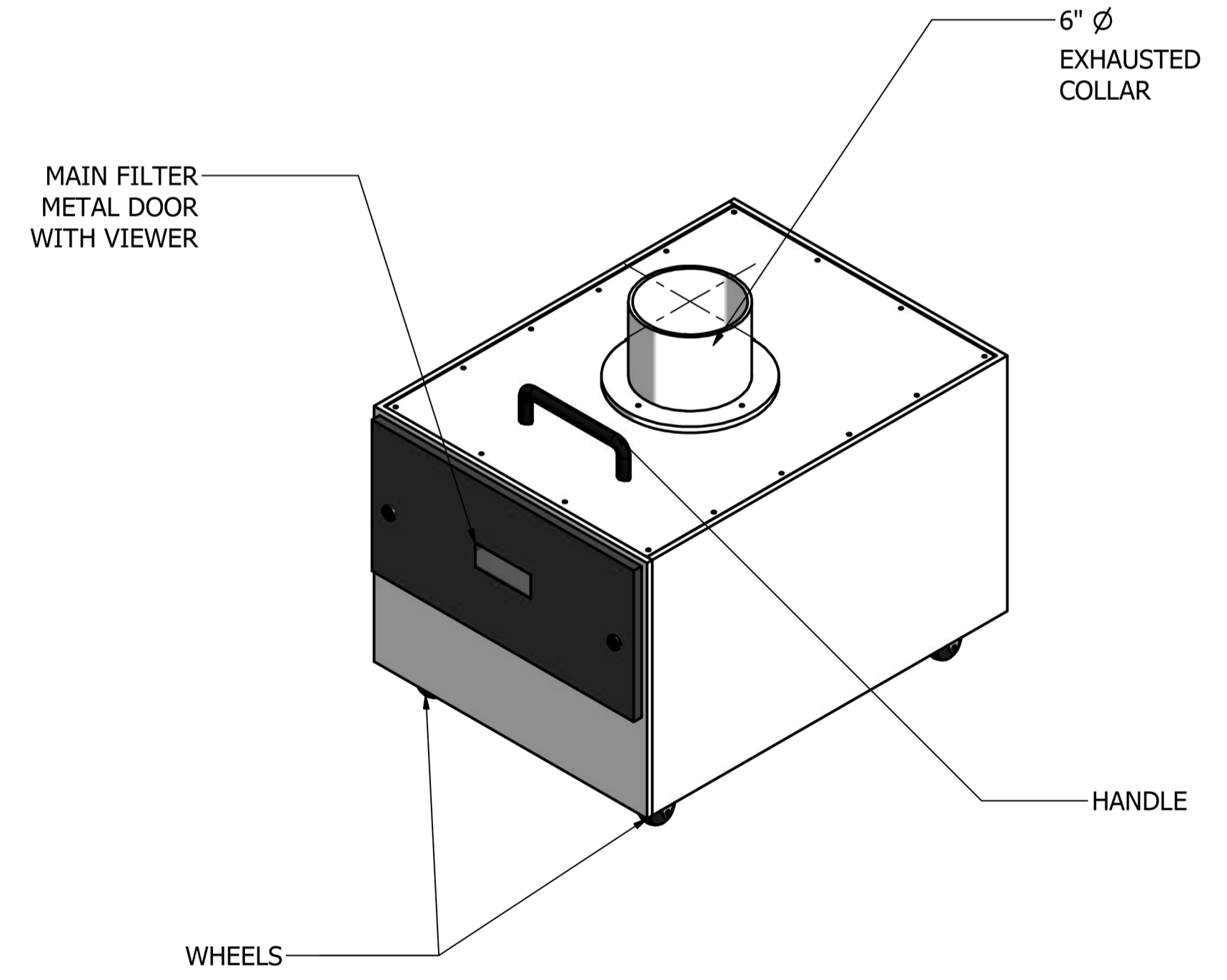


A-A (1 : 7)



- NOTES:**
- 1.0 CUSTOMER:
 - 2.0 SUBMIT DRAWINGS FOR APPROVAL.
 - 3.0 INCLUDED:
 - 3.1 STANDARD ITEMS APPLIED.
 - 3.2 BODY BUILT WITH 3/8" WHITE POLYPROPYLENE, SEAMLESS, NON-POROUS WATERTIGHT INSIDE, THERMALLY FUSE.
 - 4.0 STANDARD MOLDED PLUG NEMA 4-14P
 - 5.0 ELECTRICAL REQUIREMENTS 110V 6A 60 HZ

B-B (1 : 7)

Designed by	Checked by	Approved by	Date	Date	
				7/17/2012	
VEFE FILTER MODULE					
VE-FES-R12Det.Assem				Edtion	Sheet
					1 / 1