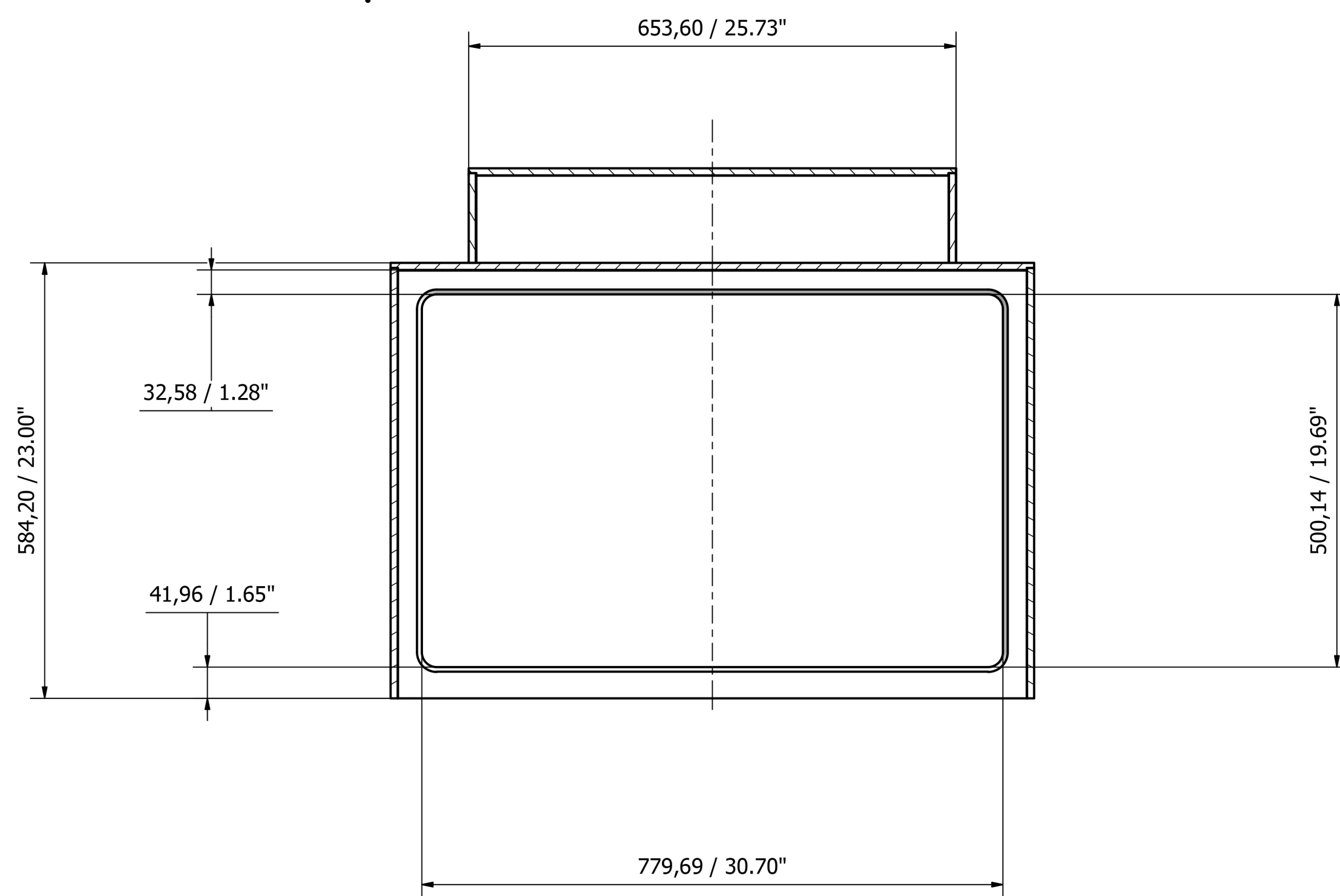
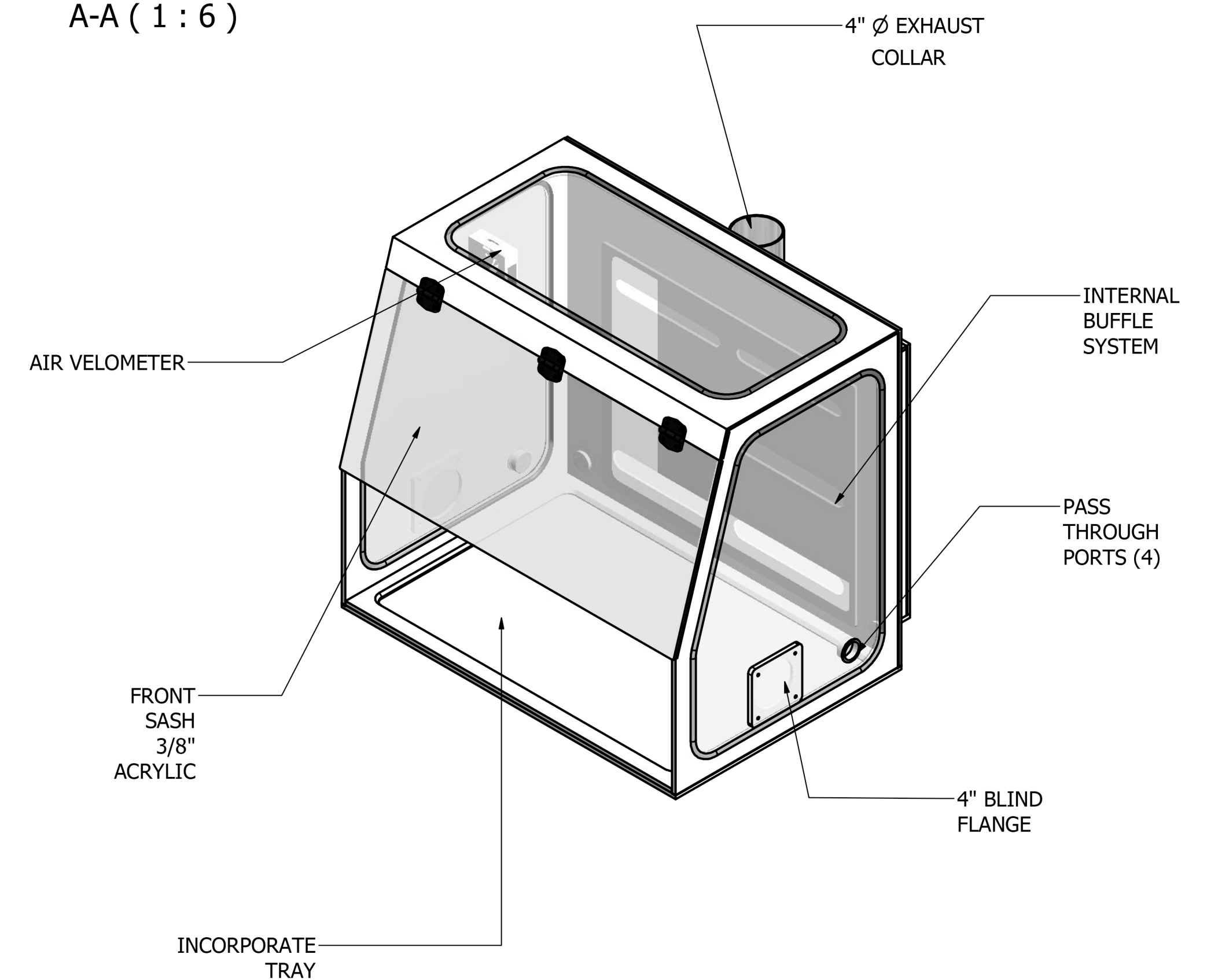


NOTES :

- 1.0 CUSTOMER :
- 2.0 SUBMIT DRAWINGS FOR APPROVAL.
- 3.0 INCLUDING:
- 3.1 FRONT SASH BUILT IN 3/8" ACRYLIC.
- 3.2 SIDES AND TOPS WINDOW BUILT IN 1/4" ACRYLIC.
- 3.3 BODY BUILT IN POLYPROPYLE SEAMLESS, NON-POROUS WATERTIGHT INSIDE, THERMALLY FUSE, 3/8" WHITE.



A-A (1 : 6)



B-B (1 : 6)

Designed by	Checked by	Approved by	Date	Date	
				9/21/2015	
VE34T-PP					
				Edition	Sheet
				1 / 1	1 / 1