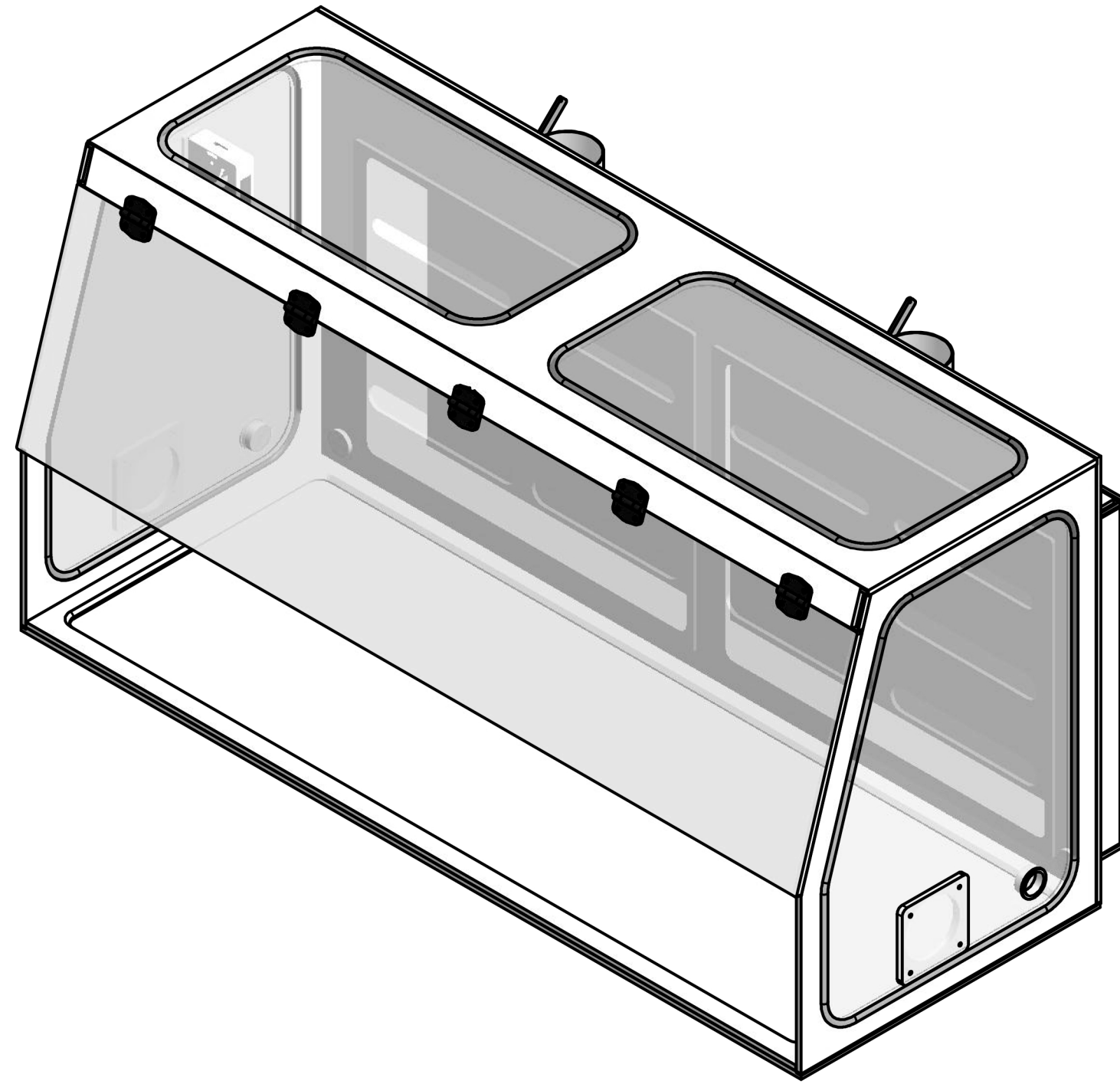
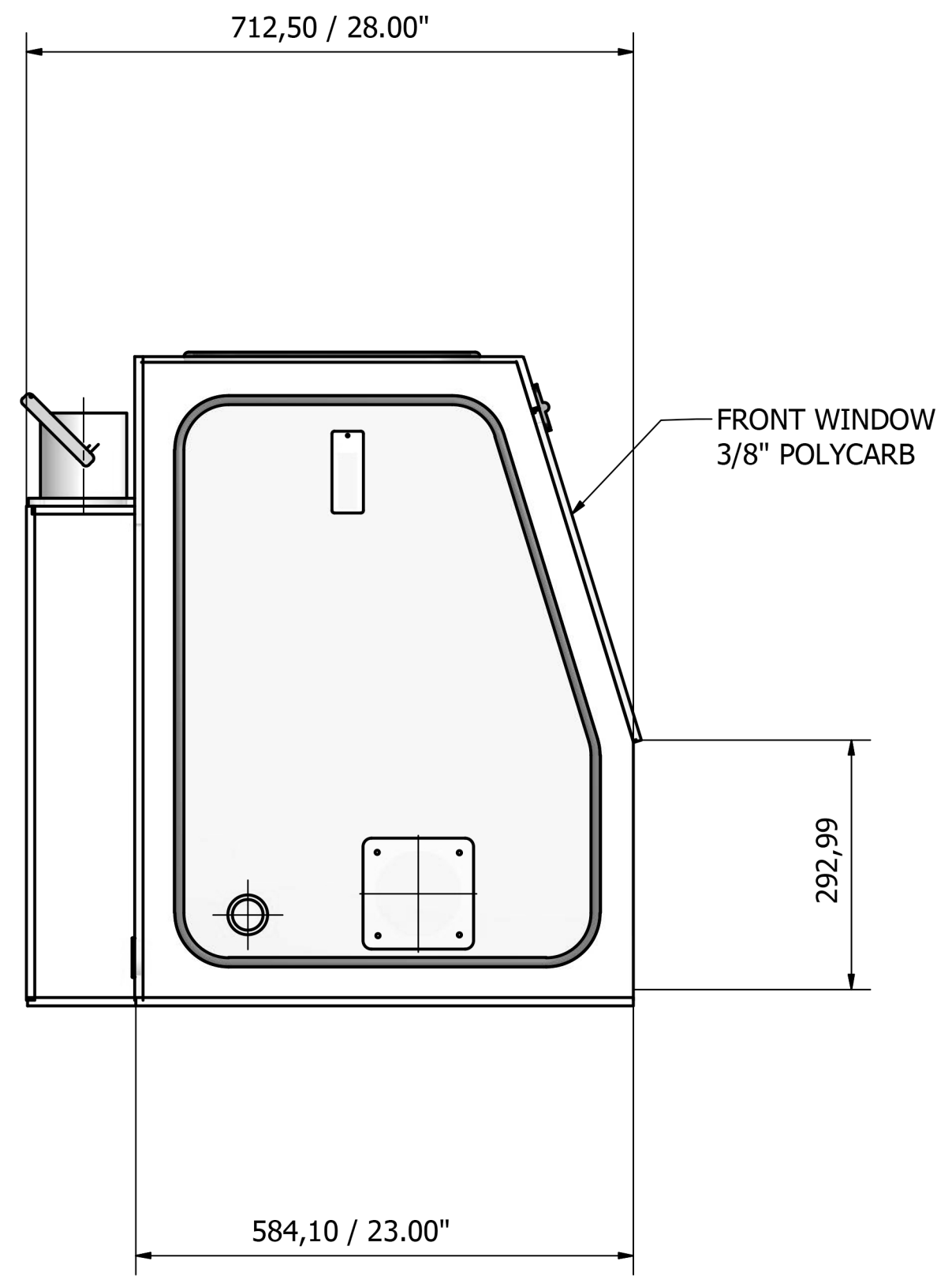
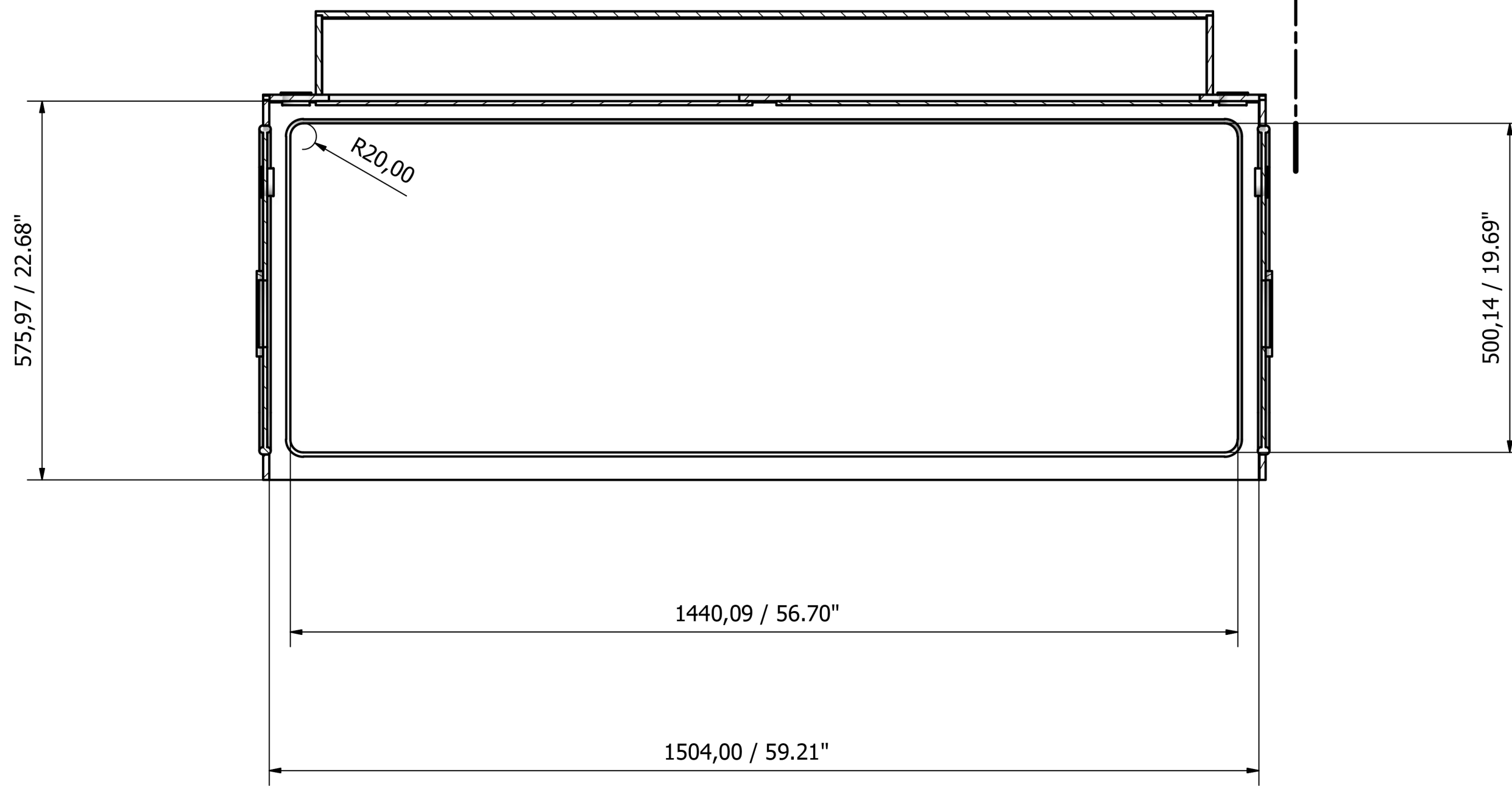


A-A (1 : 7)



Notes:
1.0 W/O
2.0 CUSTOMER :

Designed by	Checked by	Approved by	Date	Date	
				8/6/2012	
VE60T.PP					
VE60T-GAssem.R1			Edtion	Sheet	
				1 / 1	