

# ME-75 LABORATORY EXTRACTION ARM DATA SHEET





# ME-75 EXTRACTION ARM

## DESCRIPTION

The ideal extractor for laboratory environments.

With its optimal design, the Ø 75 mm Movex ME has a very low pressure drop, which provides many valuable benefits.

- Low pressure drop saves energy.
- Air flow noise is reduced.
- Lower pressure drop is achieved without selecting a larger diameter extractor.
- Lower pressure drop allows the ME to be combined with additional extraction systems.

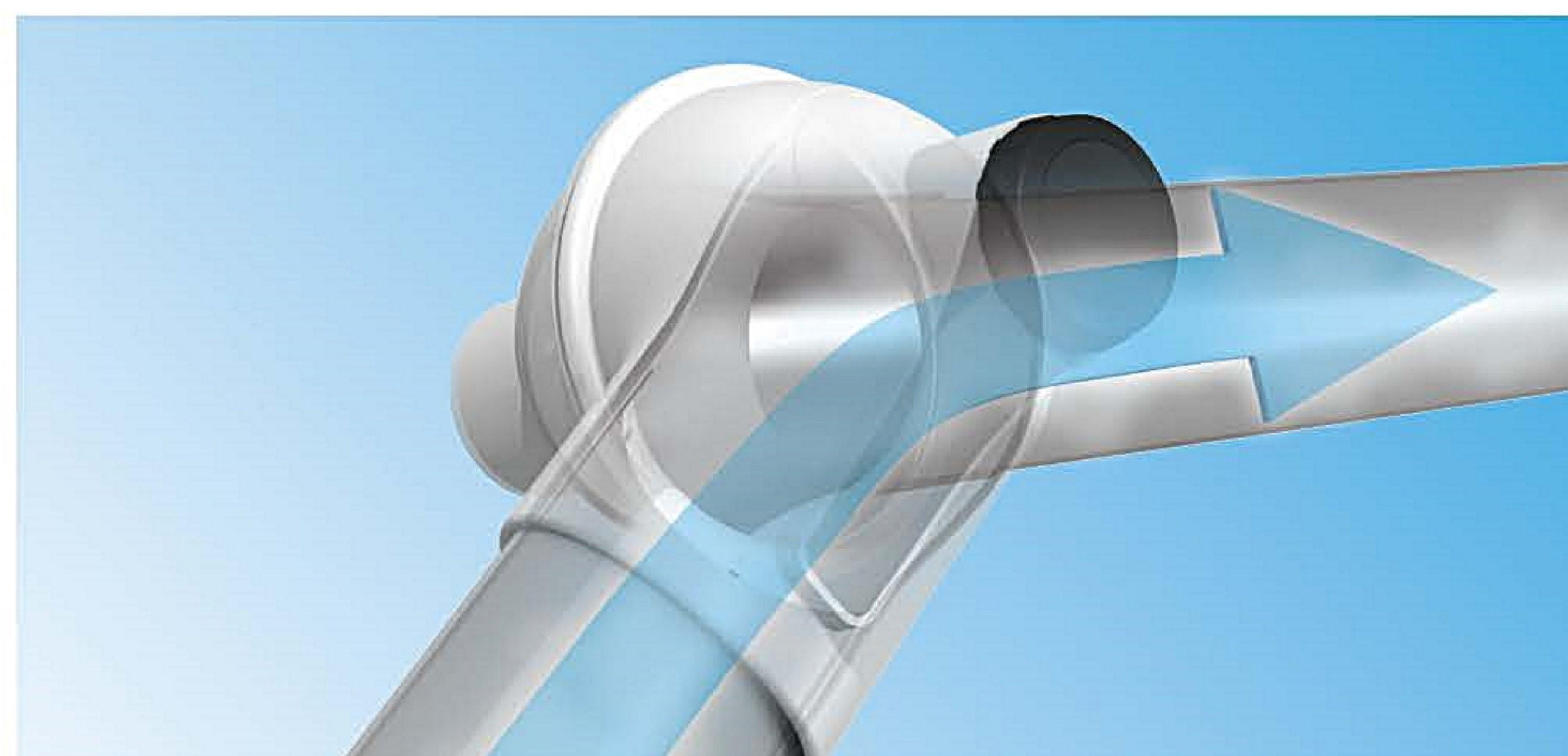
Unique design and stable mounting brackets make the Movex ME your best choice.



## ALWAYS CHOOSE A LOW PRESSURE DROP

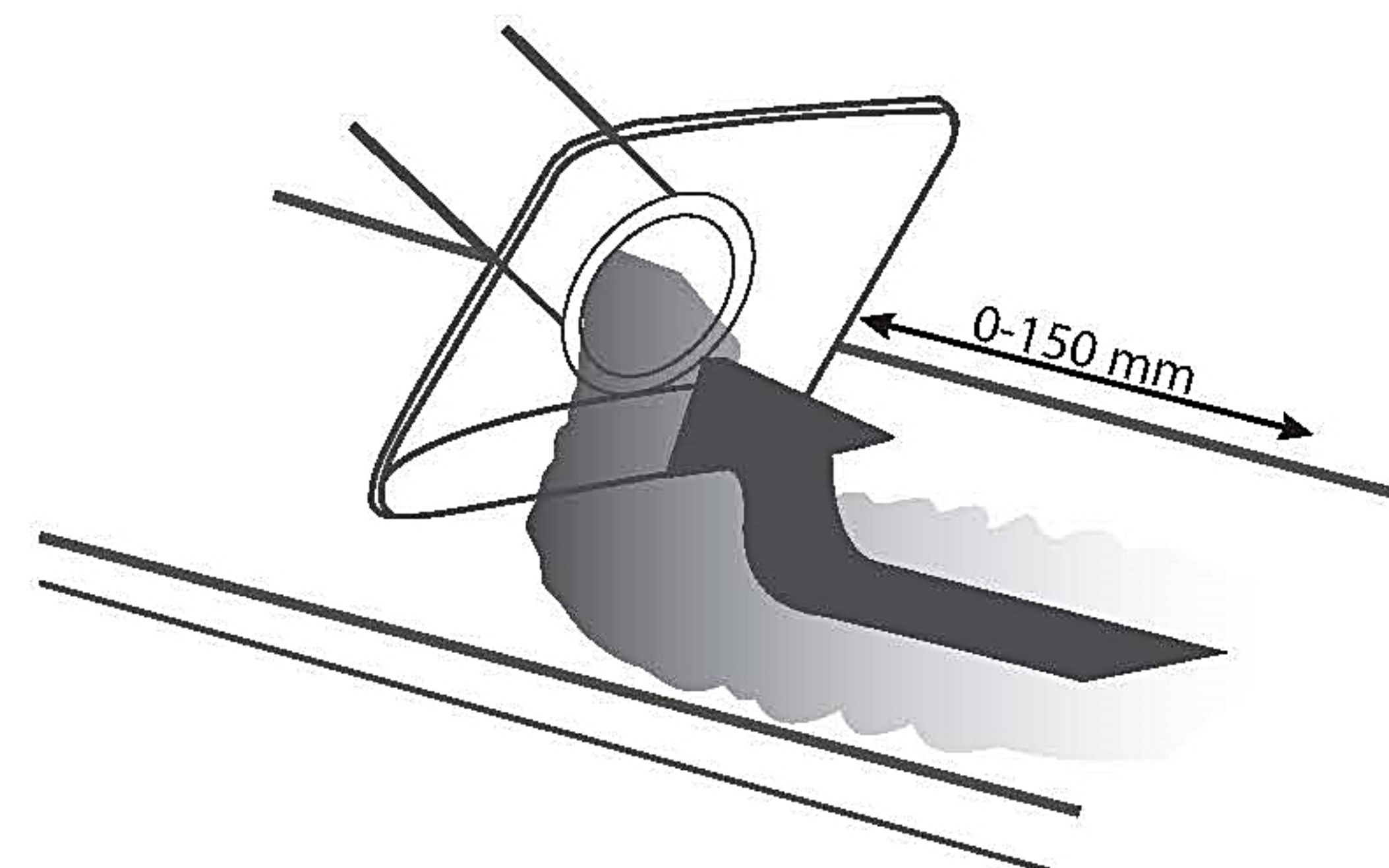
Lowest possible pressure drop is a quality aspect that always should be considered.

With its uniquely designed joint construction, Movex ME combines maximum flexibility with low pressure drop. The air passes through the joints without creating unnecessary turbulence, thus producing an energy-saving low pressure drop and a quieter working environment.



## OPTIMAL CAPTURE

For optimum benefit from the local extractor, it is important to use the flexibility of the extractor to get as close to the contaminant as possible. A good rule of thumb would be a distance of 2-3 times the diameter of the extractor tube. At the recommended air flow, the extractor will provide high efficiency even if disturbances are generated in the surroundings.





# ONE ARM. ALL OPTIONS.

More than 35 years of experience in the design and production of fume extraction systems. We have a complete range of products to meet your needs. Our fume extraction systems are designed to be safe, reliable and easy to use. They are also designed to be cost-effective and to provide a long service life.

## STANDARD ARMS

Suitable for evacuating most types of airborne contaminants, e.g. in laboratories, schools, hospitals, the pharmaceutical industry, nail salons and light industrial applications.



## PP VERSION ARMS

Used primarily for evacuating very corrosive contaminants in high concentrations, e.g. in certain laboratories and in the pharmaceutical and chemical industries.



## ESD VERSION ARMS

Suitable for evacuating airborne contaminants in environments where there is a need to avoid the risk of spark formation and in areas where products need to be ESD-certified, e.g. the electronics industry.



## ATEX VERSION ARMS

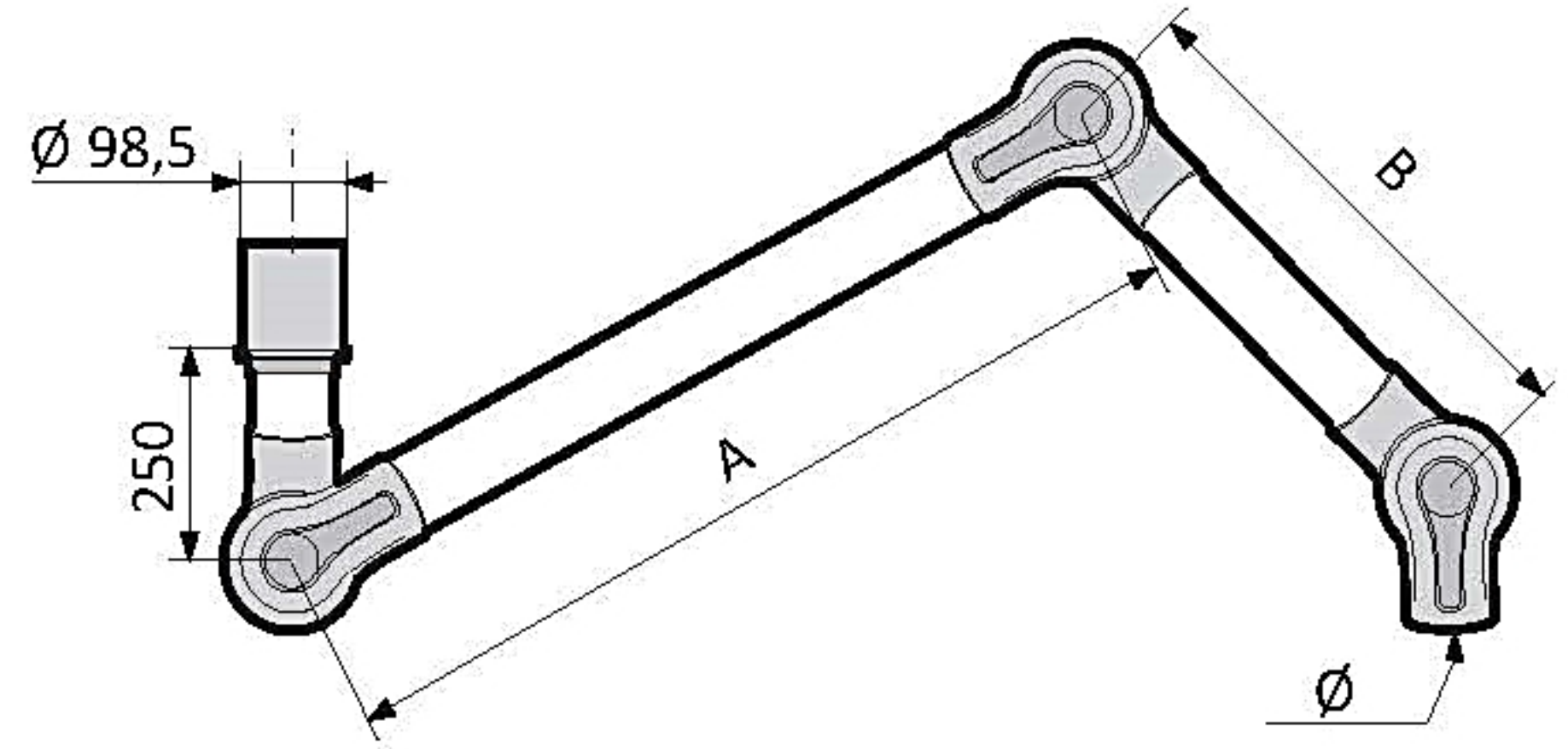
Suitable for evacuating airborne contaminants where there is a requirement for an ATEX-classified environment, e.g. in laboratories, the chemical and petrochemical industries, gas distribution, and the paint and pharmaceutical industries.





# MET FOR WALL AND CEILING MOUNTING

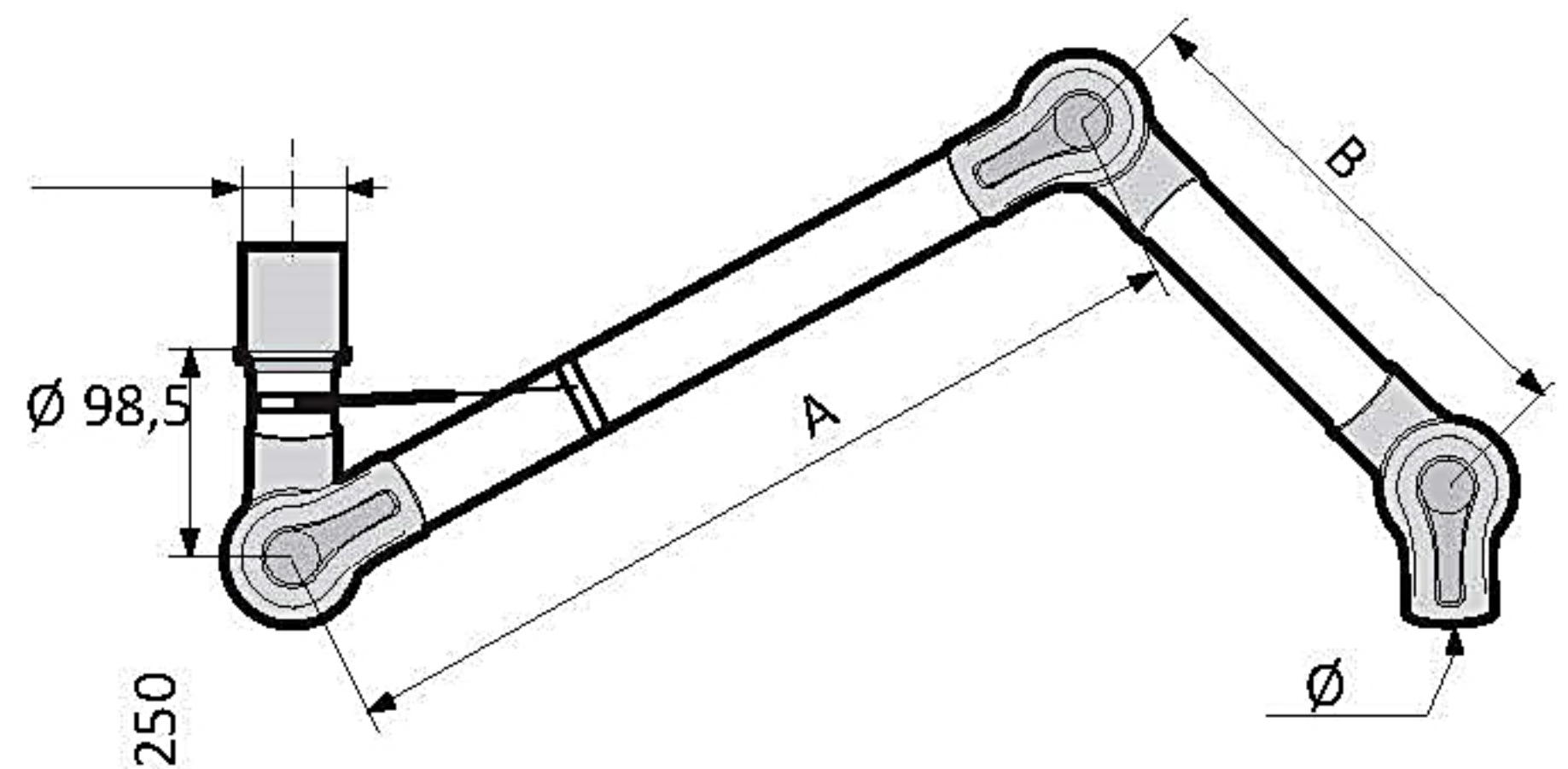
MODEL	A (mm)	B (mm)	C (mm)	WEIGHT (Kg)
<b>STANDARD</b>				
MET 1000-75	400	300	75	2,25
MET 1300-75	550	450	75	2,60
MET 1500-75	750	450	75	2,75
MET 2000-75	1000	650	75	3,25
<b>PP</b>				
MET 1000-75PP	400	300	75	2,25
MET 1300-75PP	550	450	75	2,60
MET 1500-75PP	750	450	75	2,75
<b>ATEX</b>				
MET 1000-75EX	400	300	75	2,25
MET 1300-75EX	550	450	75	2,60
MET 1500-75EX	750	450	75	2,75
<b>ESD</b>				
MET 1000-75ES	400	300	75	2,25
MET 1300-75ES	550	450	75	2,60
MET 1500-75ES	750	450	75	2,75



MET for ceiling or wall mounting, excluding bracket MTI or MVK.

# METS (WITH EXTERNAL GAS SPRING)

MODEL	A (mm)	B (mm)	C (mm)	WEIGHT (Kg)
<b>STANDARD</b>				
METS 1500-75	750	450	75	2,75
METS 2000-75	1000	650	75	3,25
<b>PP</b>				
METS 1500-75PP	750	450	75	2,75
METS 2000-75PP	1000	650	75	3,25
<b>ATEX</b>				
METS 1500-75EX	750	450	75	2,75
METS 2000-75EX	1000	650	75	3,25
<b>ESD</b>				
METS 1500-75ES	750	450	75	2,75
METS 2000-75ES	1000	650	75	3,25



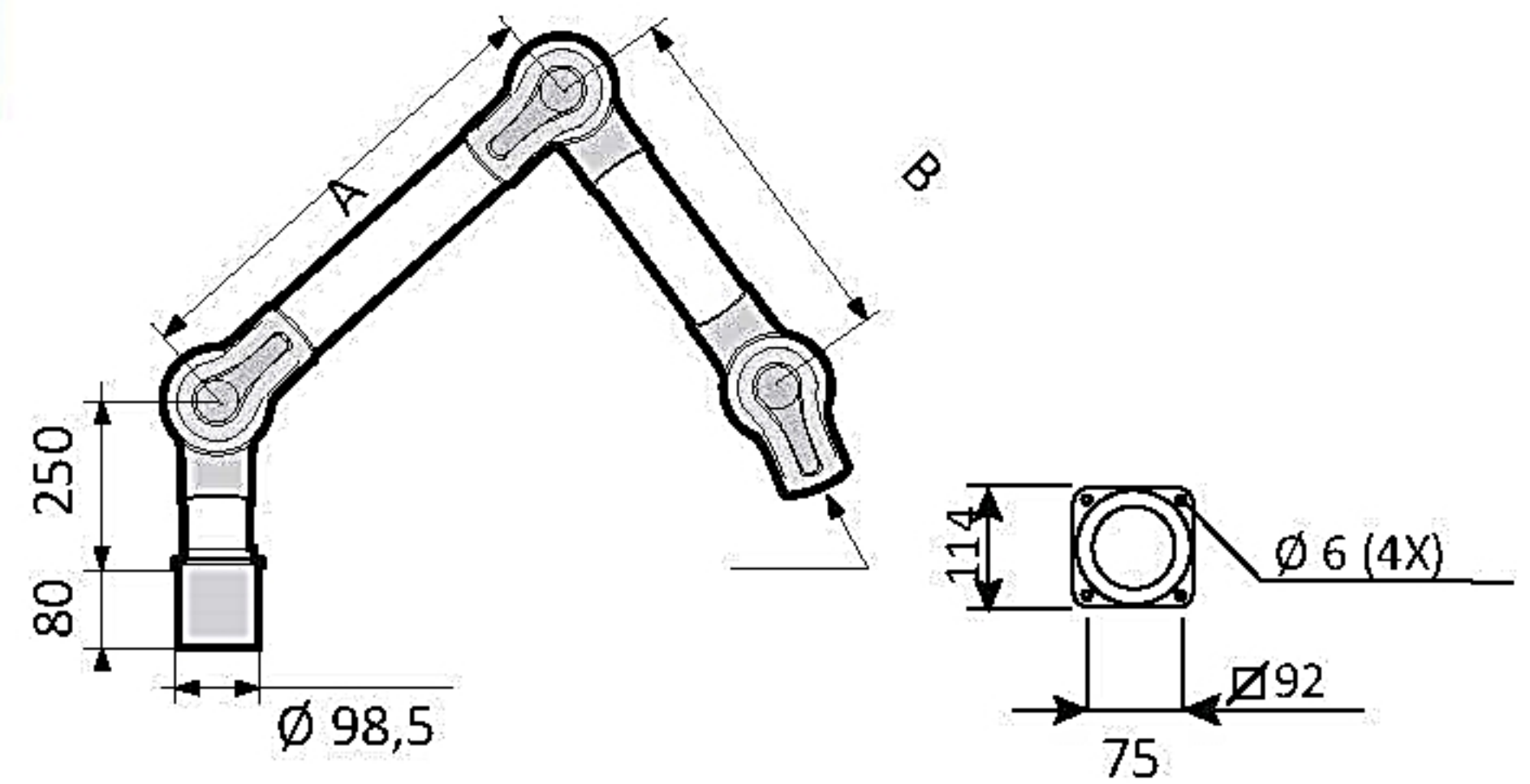
For arms of length 1.5m and 2m, Movex recommends the gas spring model to provide better stability.

The gas spring can also be used as a height stop, e.g. on low ceilings and where there are low electrical fittings.



# MEB (FOR TABLE MOUNTING)

MODEL	A (mm)	B (mm)	C (mm)	WEIGHT (Kg)
<b>STANDARD</b>				
MEB 1000-75	400	300	75	2,25
MEB 1300-75	550	450	75	2,60
MEB 1500-75	750	450	75	2,75
<b>PP</b>				
MEB 1000-75PP	400	300	75	2,25
MEB 1300-75PP	550	450	75	2,60
MEB 1500-75PP	750	450	75	2,75
<b>ATEX</b>				
MEB 1000-75EX	400	300	75	2,25
MEB 1300-75EX	550	450	75	2,60
MEB 1500-75EX	750	450	75	2,75
<b>ESD</b>				
MEB 1000-75ES	400	300	75	2,25
MEB 1300-75ES	550	450	75	2,60
MEB 1500-75ES	750	450	75	2,75



## REACH AT RECOMMENDED INSTALLATION HEIGHT

The following installation heights and sideways displacement relative to the work area are recommended for optimal extraction:

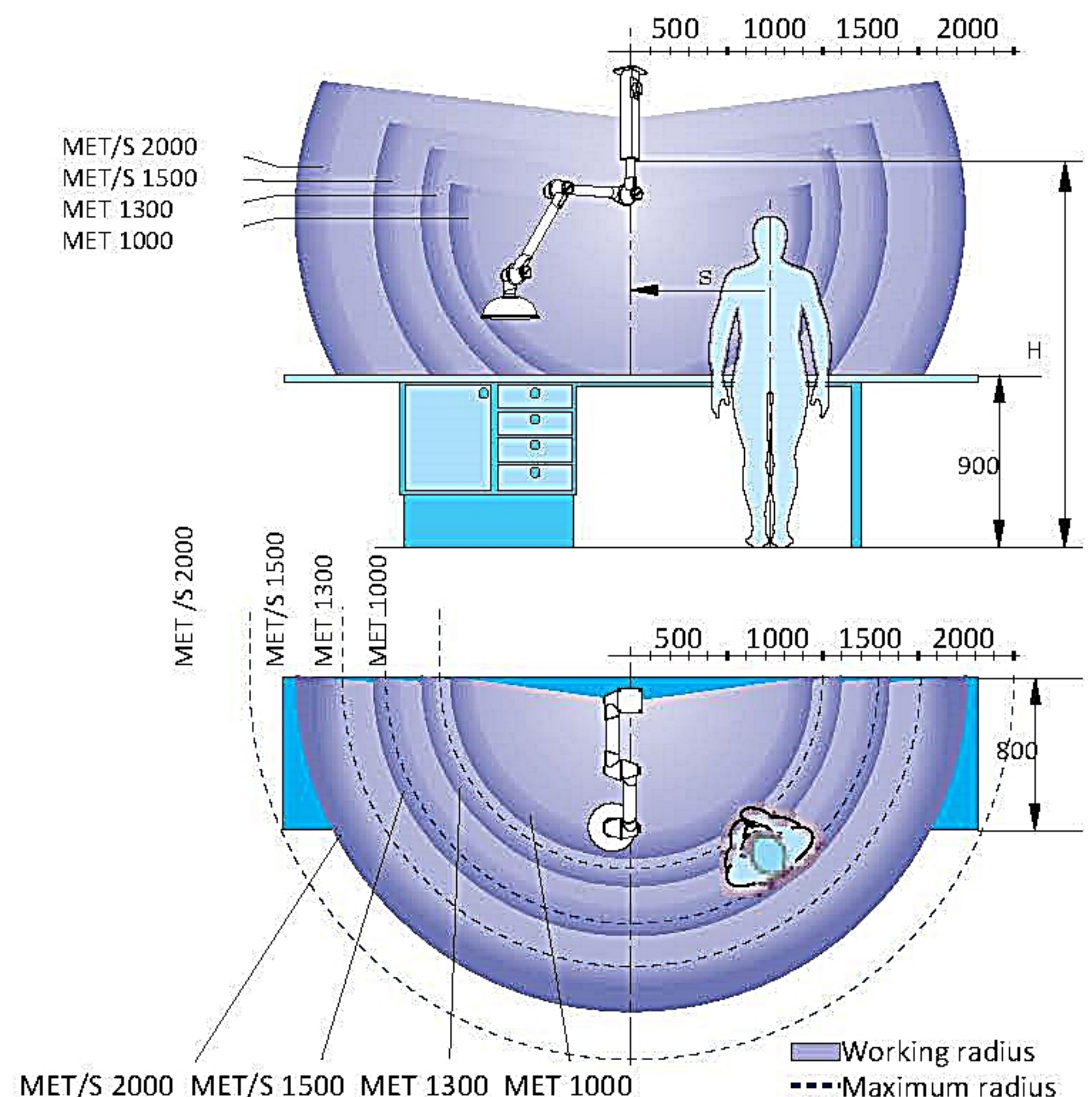
### RECOMMENDED INSTALLATION HEIGHT

DESIGNATION	H (mm)
MET 1000-75	1700-2000
MET 1300-75	1900-2200
MET/S 1500-75	2000-2300
MET/S 2000-75	2200-2500

### RECOMMENDED SIDE DISPLACEMENT

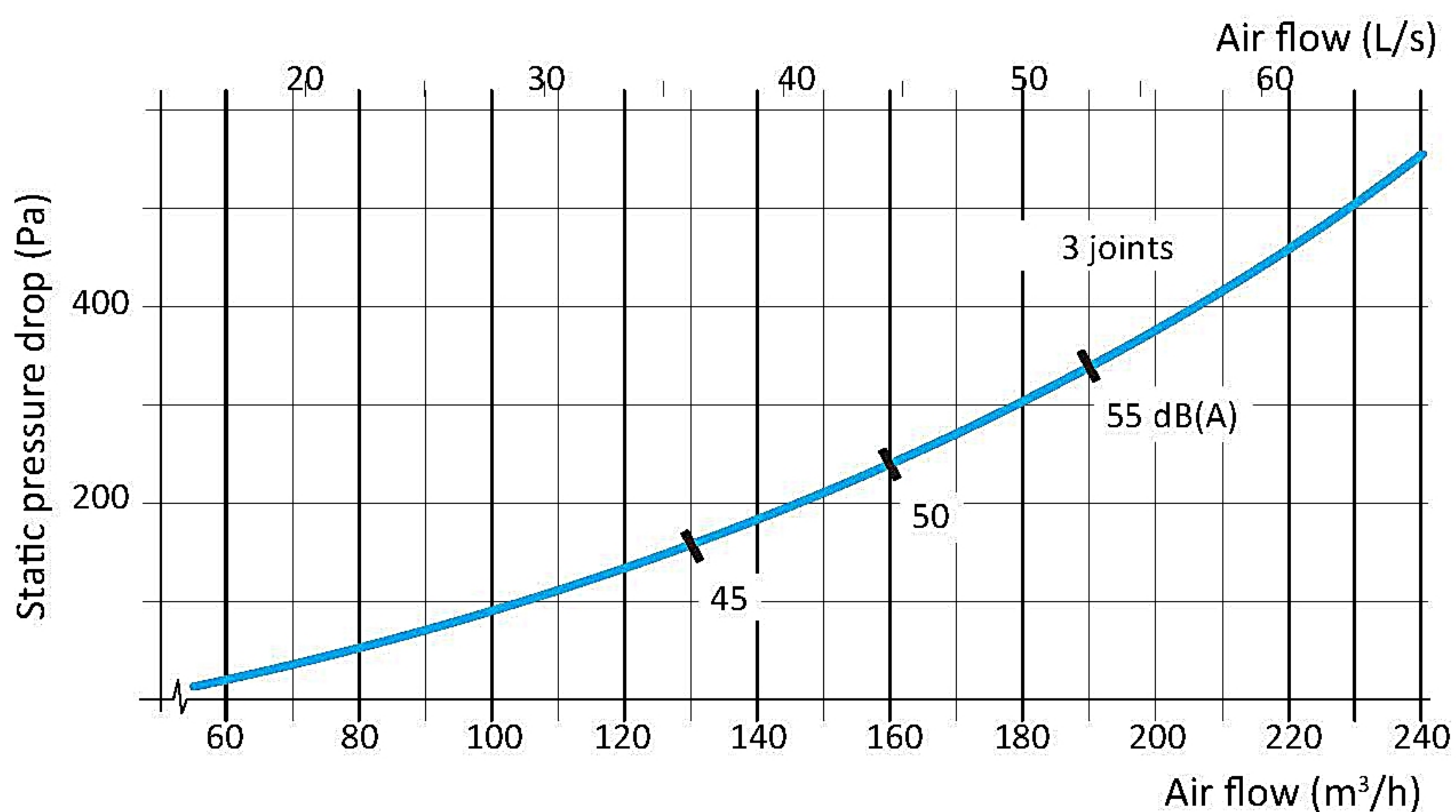
Radius, relative to work area

DESIGNATION	S (mm)
MET 1000-75	300-600
MET 1300-75	400-700
MET/S 1500-75	500-800
MET/S 2000-75	700-1000





# FLOW AND PRESSURE DROP DIAGRAM



Static pressure drop is measured in accordance with ISO standard 5167-1.

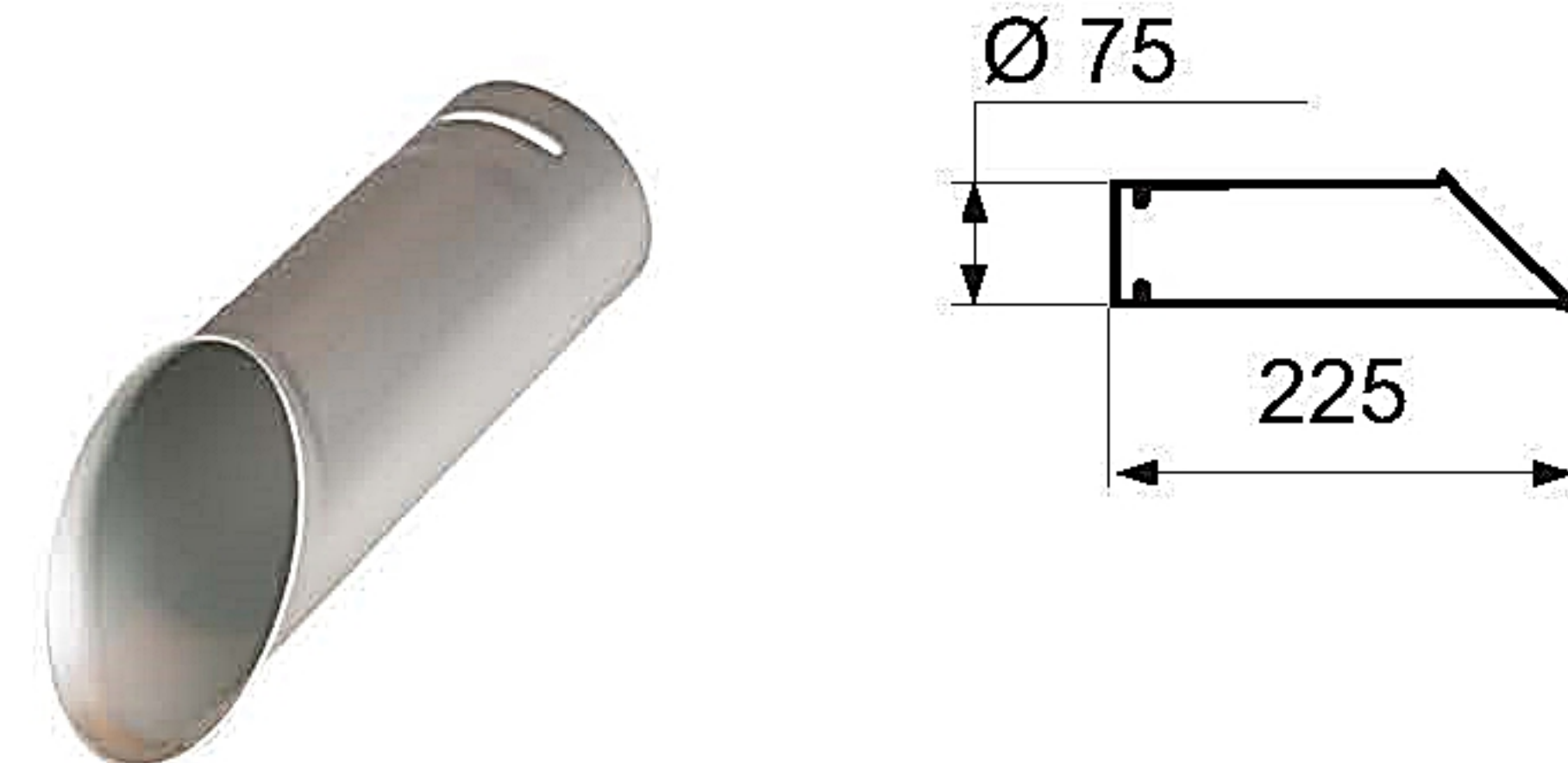
Noise level is measured in accordance with ISO standard 3743. Indicated sound level refers to sound pressure level.

# CAPTURE HOODS

## MES SUCTION NOZZLE

The suction nozzle is used in tight spaces and for getting close to the work without interfering.

Material: Standard - Aluminium, PP - Polypropylene, ES, EX - PEEL black. Temperature range: -15°C to +80°C



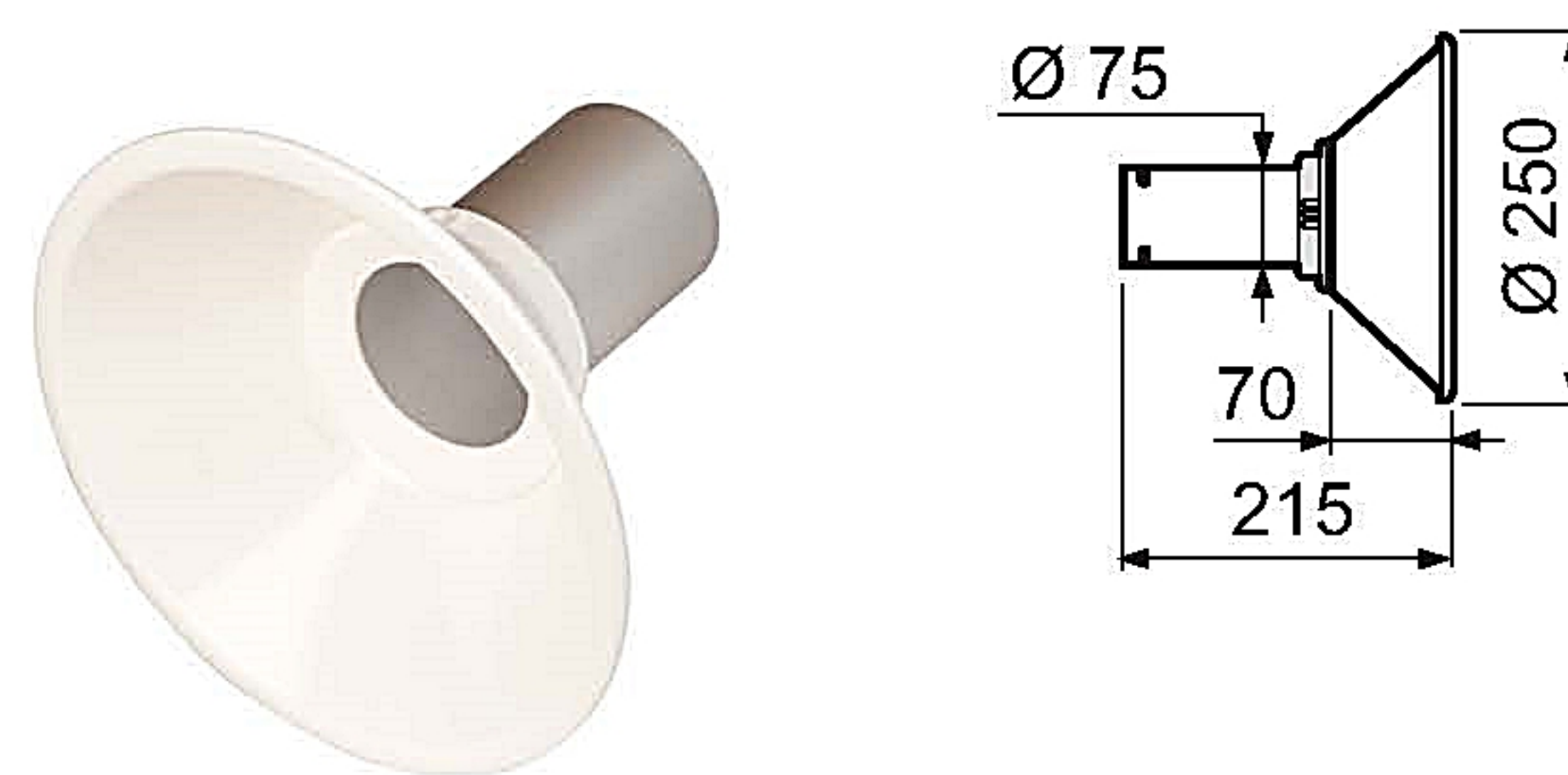
ITEM NO	VARIANTS	WEIGHT (g)
MES 300-75	PP, ES, EX	160

## MEM METAL HOOD

The metal hood is used when working in corrosive environments and for capturing hot gases and dust splatter.

Metal hoods can be fitted with work lighting.

Material: Standard - Powder-coated aluminium, ES - Aluminium, EX - Powder-coated aluminium, PP - Polypropylene, ES, EX - PEEL black. Temperature range: -15°C to +80°C



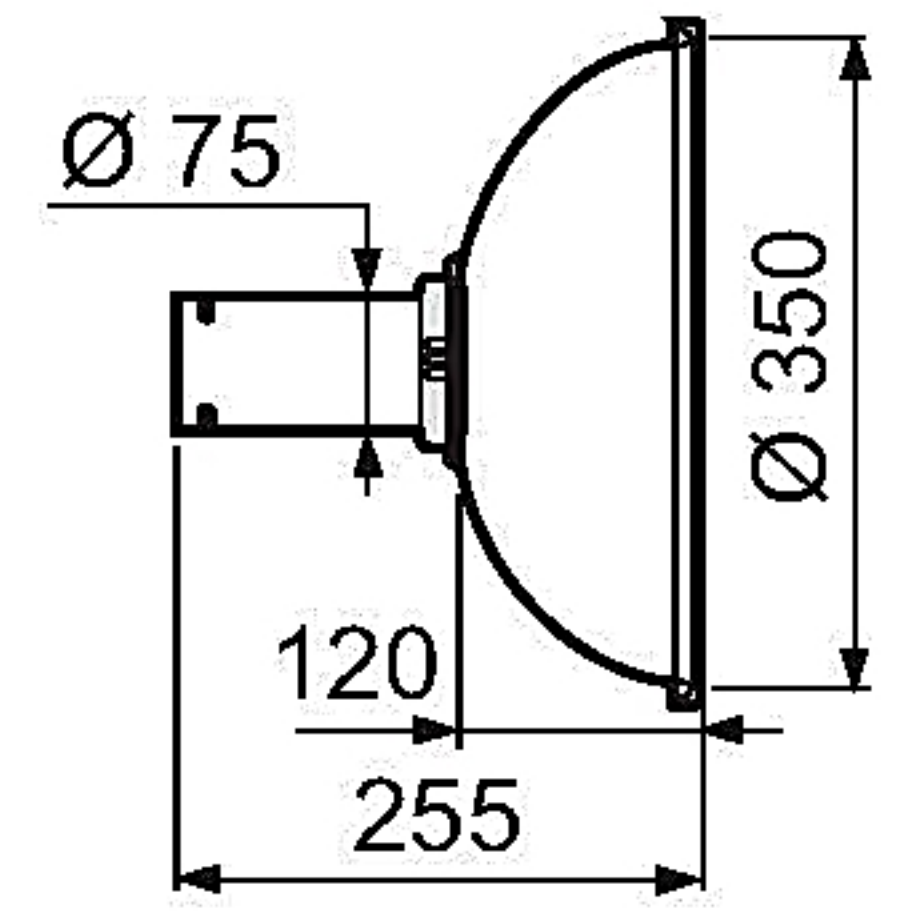
ITEM NO	VARIANTS	WEIGHT (g)
MEM 300-75	PP, ES, EX	300



## MEK DOME HOOD

The clear dome hood is suitable for lighter gases with a wider dispersal of contaminants without blocking the user's vision. Temperature range: -15°C to +80°C. Material: Standard - PMMA. PP- Polypropylene, transparent ES, EX - PEEL black

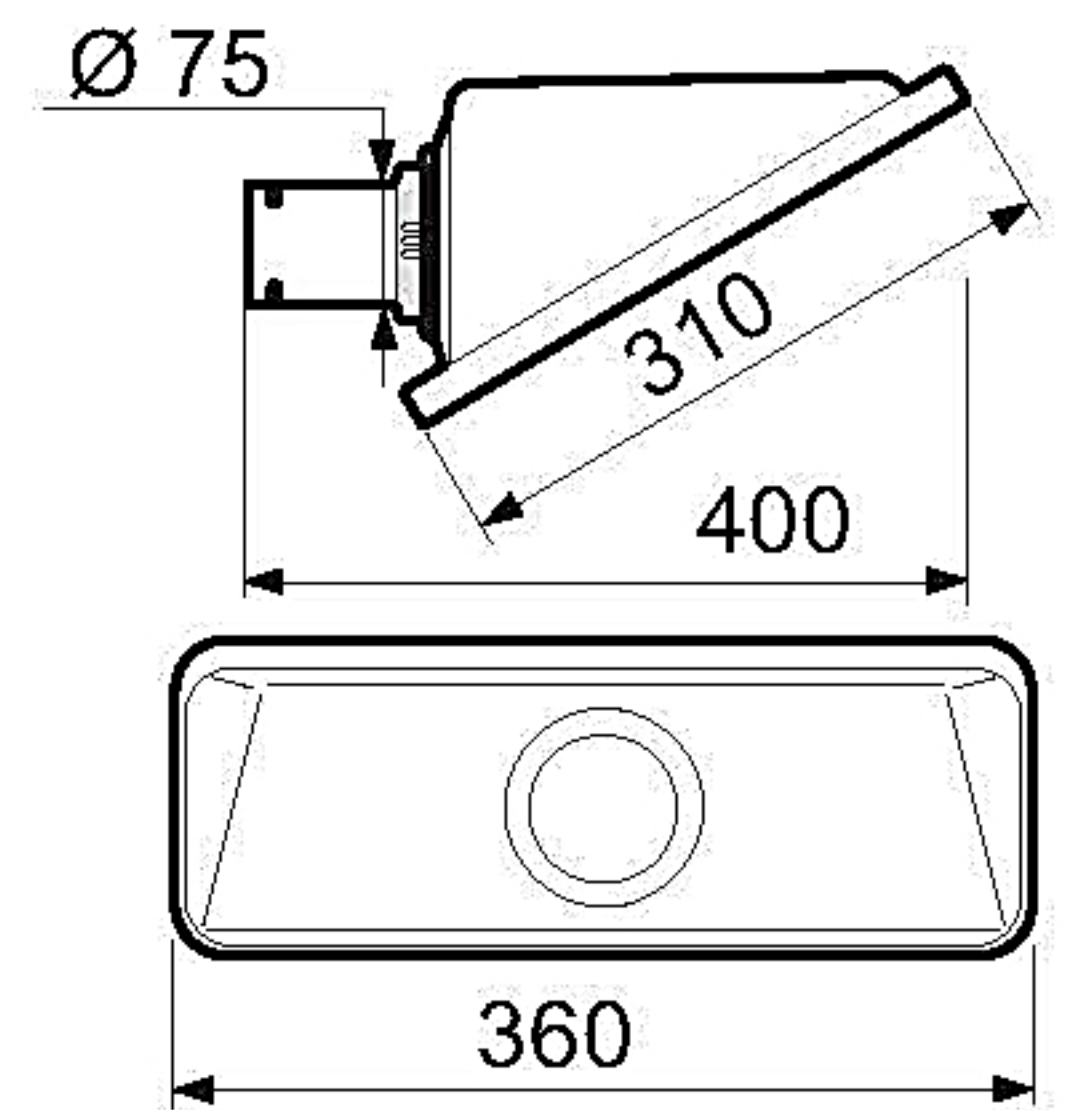
ITEM NO	VARIANTS	WEIGHT (g)
MEK 350-75	PP, ES, EX	450



## MESH SQUARE HOOD

The square hood is suitable for placing above gases with a high lift, or adjacent to the work surface for contaminants with no lift or low lift - all this without interfering with the work. Temperature range: -15°C to +80°C. Material: Standard - PETG

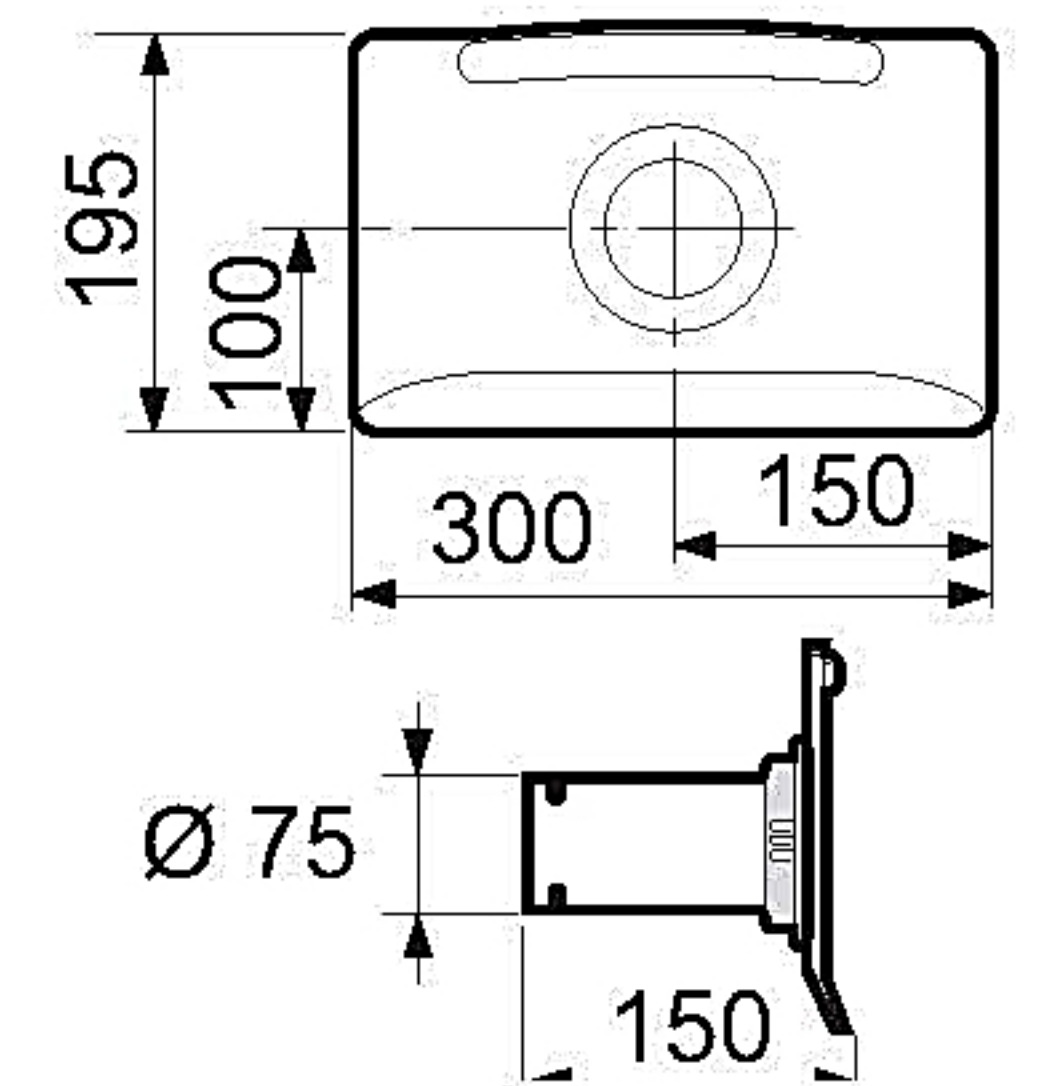
ITEM NO	VARIANTS	WEIGHT (g)
MESH 350-75	-	485



## MEPH FLAT SCREEN HOOD

The flat screen hood is designed to maximise the working area without obscuring the object from the user. The flat screen hood gives the best suction effect for table and bench tasks. Temperature range: -15°C to +80°C. Material: Standard - PETG, PP - Polypropylene, ES, EX - PEEL black

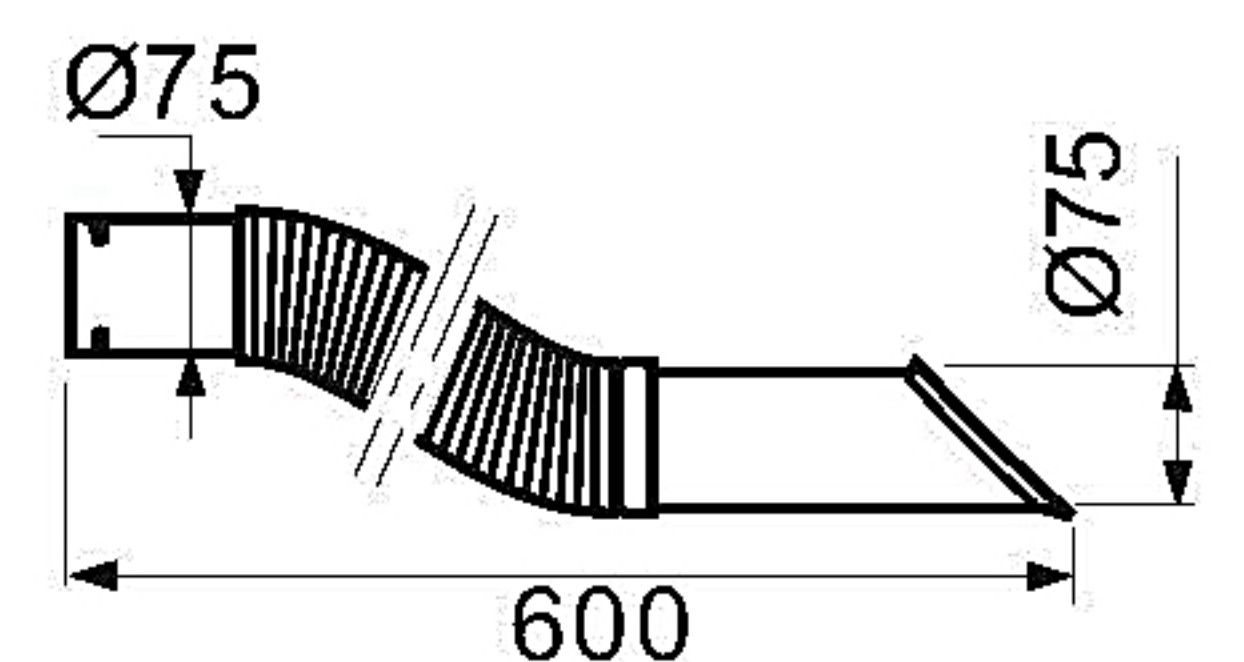
ITEM NO	VARIANTS	WEIGHT (g)
MEPH 300-75	ES	330



## MEFS FLEXIBLE SUCTION NOZZLE

The flexible suction nozzle is designed to maximise ease of movement without sacrificing air flow efficiency. Available in the ESD version only. Temperature range: -15°C to +80°C.

ITEM NO	VARIANTS	WEIGHT (g)
MEFS 600-75ES	ES, EX	425

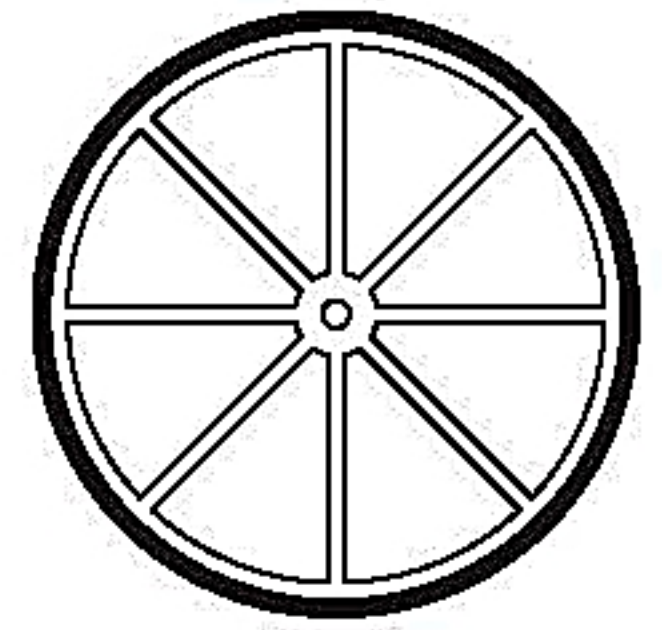




# PROTECTIVE GRILLE

Protective grill to be mounted in joints which prevents objects being sucked into the system. Temperature range: -15°C to +80°C.

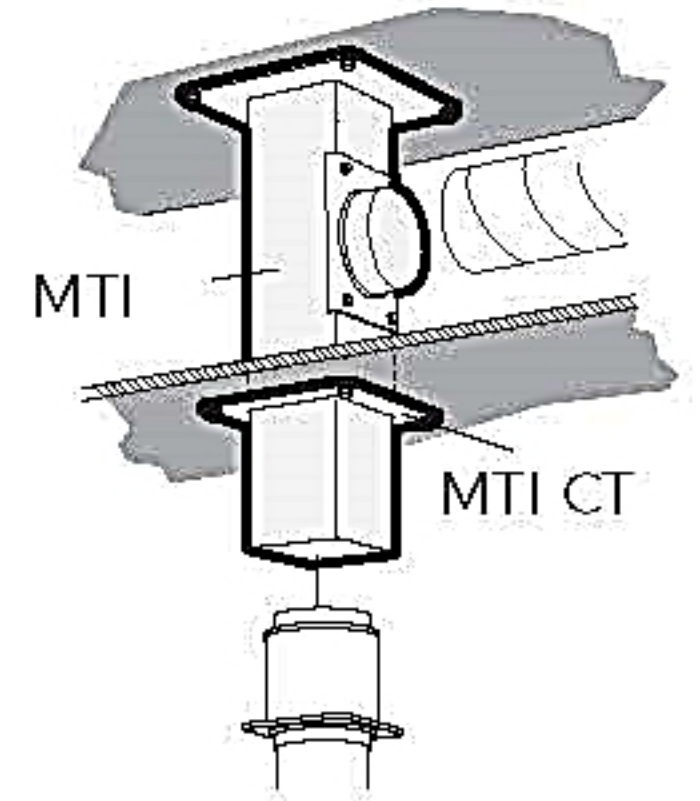
ITEM NO	VARIANTS	WEIGHT (g)
MESG-75	ES, EX	7



# BRACKETS

All Movex laboratory extractors have as standard a full swivel that allows 360° of rotation without the need to add special sleeve couplings.

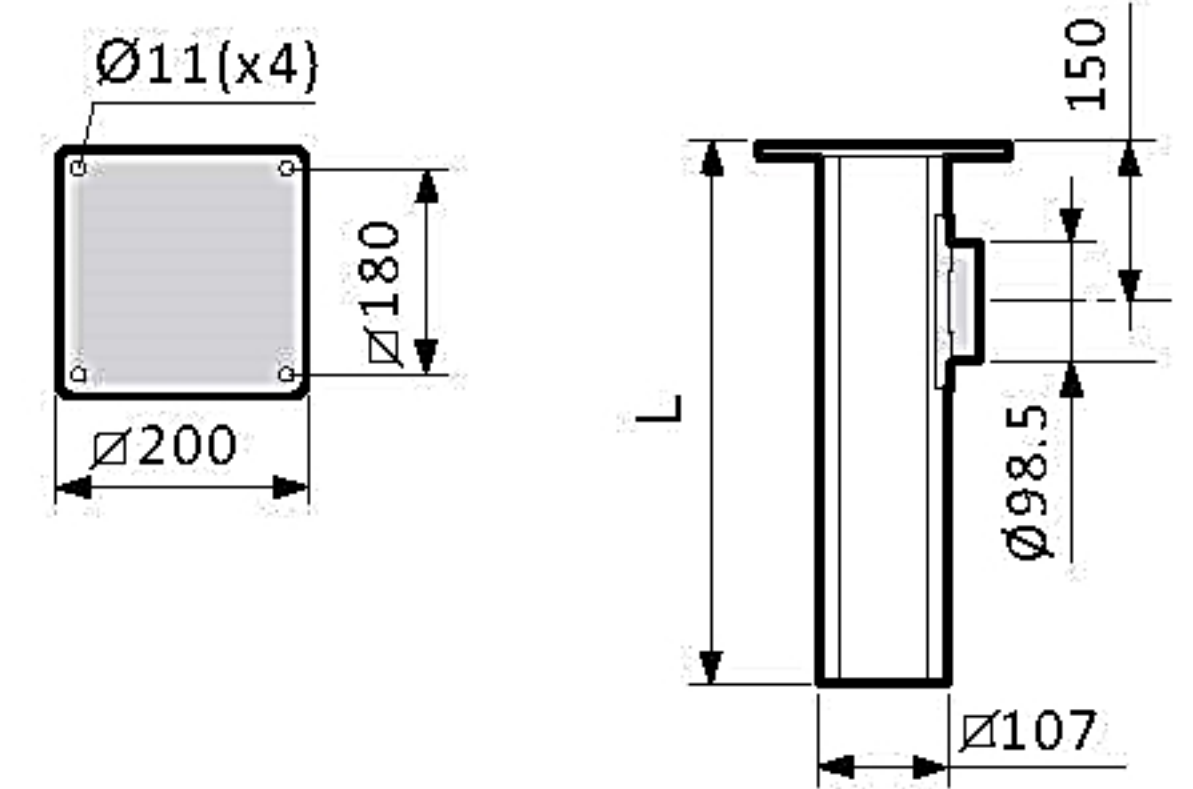
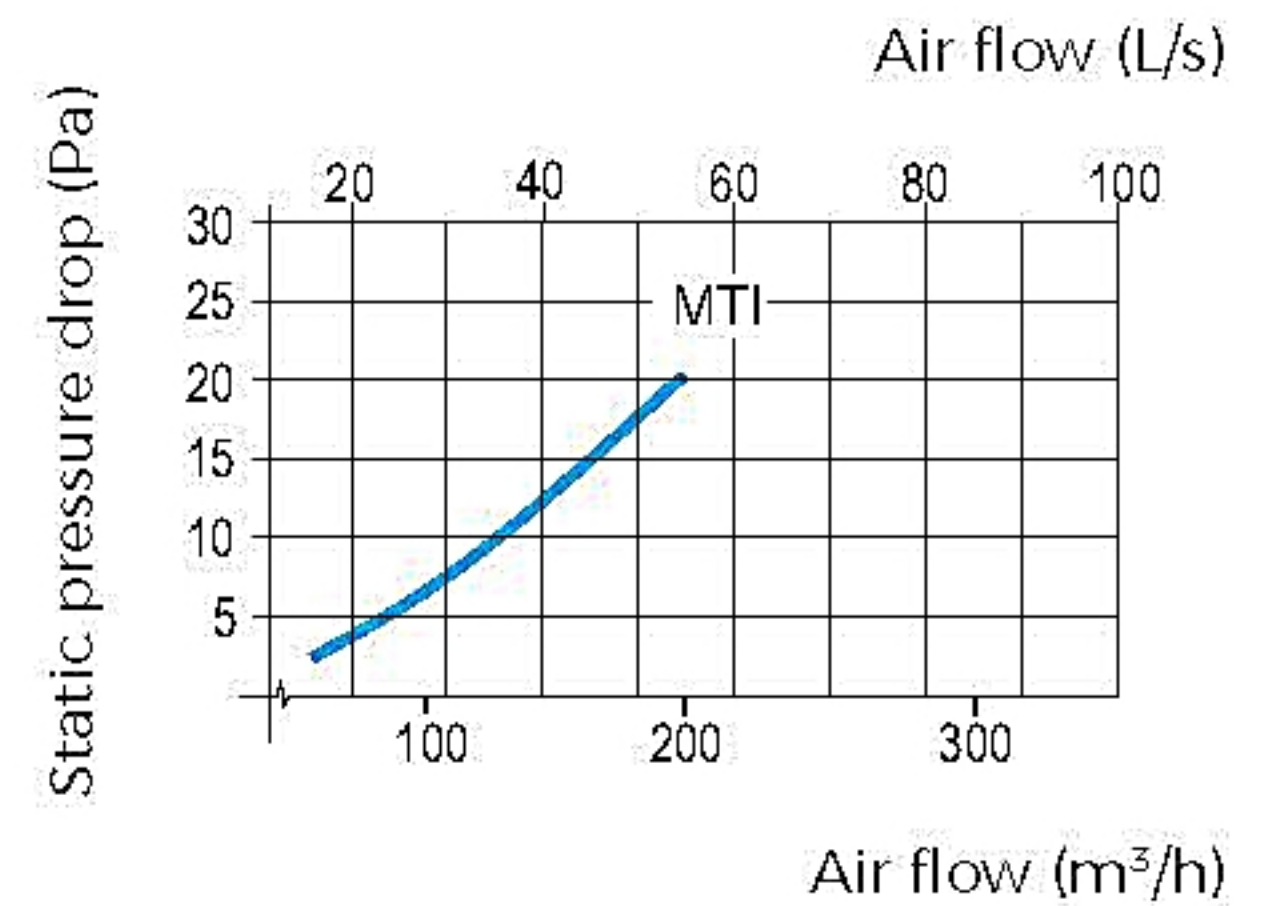
Both ceiling and wall brackets have a special square-shaped profile in anodised aluminium to provide a stylish and stable installation. This aluminum profile also allows both the wall and ceiling brackets to be custom tailored at the job site.



## MTI & MTF CEILING BRACKET

The ceiling bracket functions as a simple and stable duct for outgoing air, avoiding the need for expensive ducting and additional holes through false ceilings. On request, the MTI can be supplied in lengths exceeding 2m.

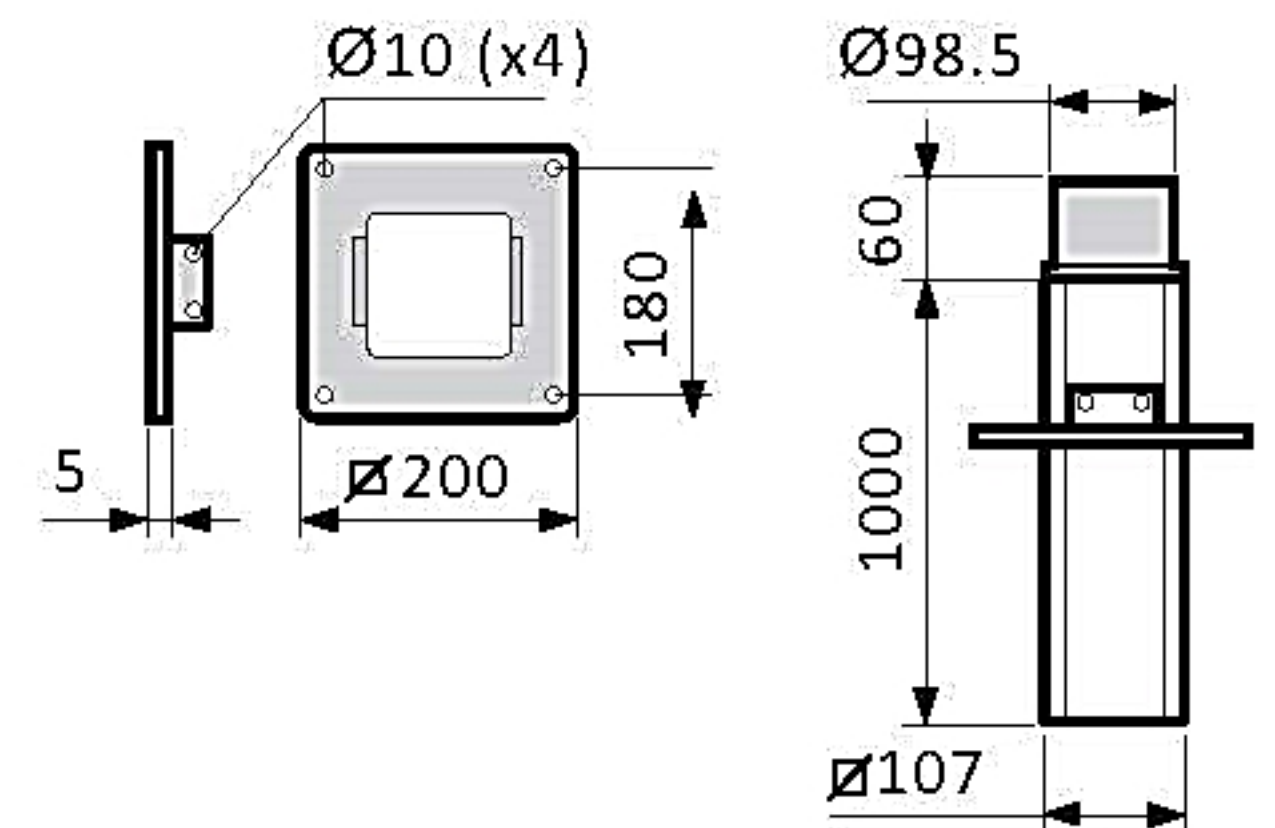
ITEM NO	DIMENSIONS (mm) L	WEIGHT (Kg)
MTI 250	250	3.15
MTI 500	500	3.80
MTI 750	750	4.50
MTI 1000	1000	5.15
MTI 1250	1250	5.80
MTI 1500	1500	6.45
MTI 1750	1750	7.10
MTI 2000	2000	7.75



## MTF CEILING BRACKET

Ceiling bracket, for fitting through beams. The attachment plate is adjustable for the entire length of the aluminium profile. If required, the aluminium profile can be cut during fitting.

ITEM NO	DIMENSIONS (mm) L	WEIGHT (Kg)
MTF	1000	4.20



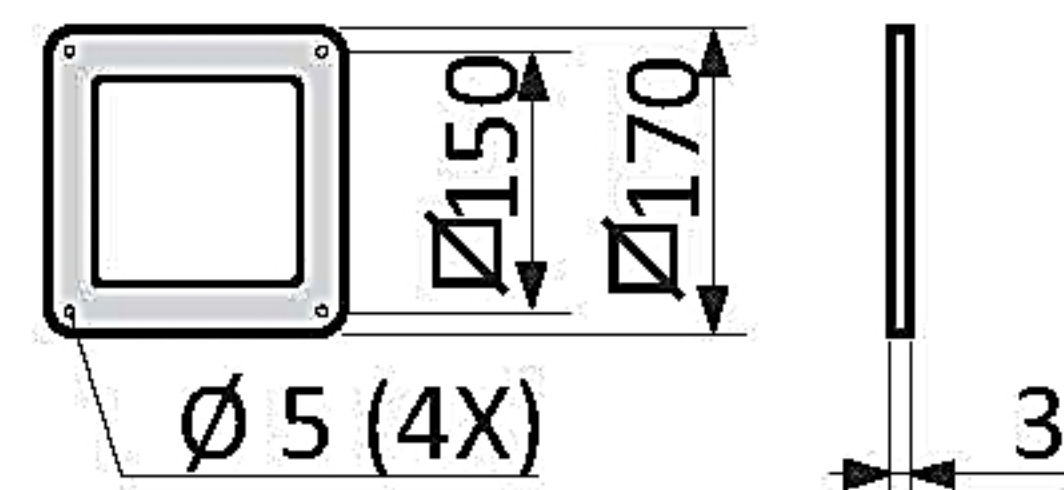
As well as the standard design, the MTI and MTF are available in ESD (ES) versions. The ceiling brackets can be supplied with an epoxy-coated exterior in all lengths up to 3 m (L). For aggressive environments, we recommend epoxy coating on the interior and exterior up to 1.25 m (IL).



## MTI CT ESCUTCHEON PLATE

Escutcheon plate, used with the MTI ceiling bracket for stabilisation and to cover ducting in false ceilings. As well as the standard design, the escutcheon plate is available in an ESD (ES) version.

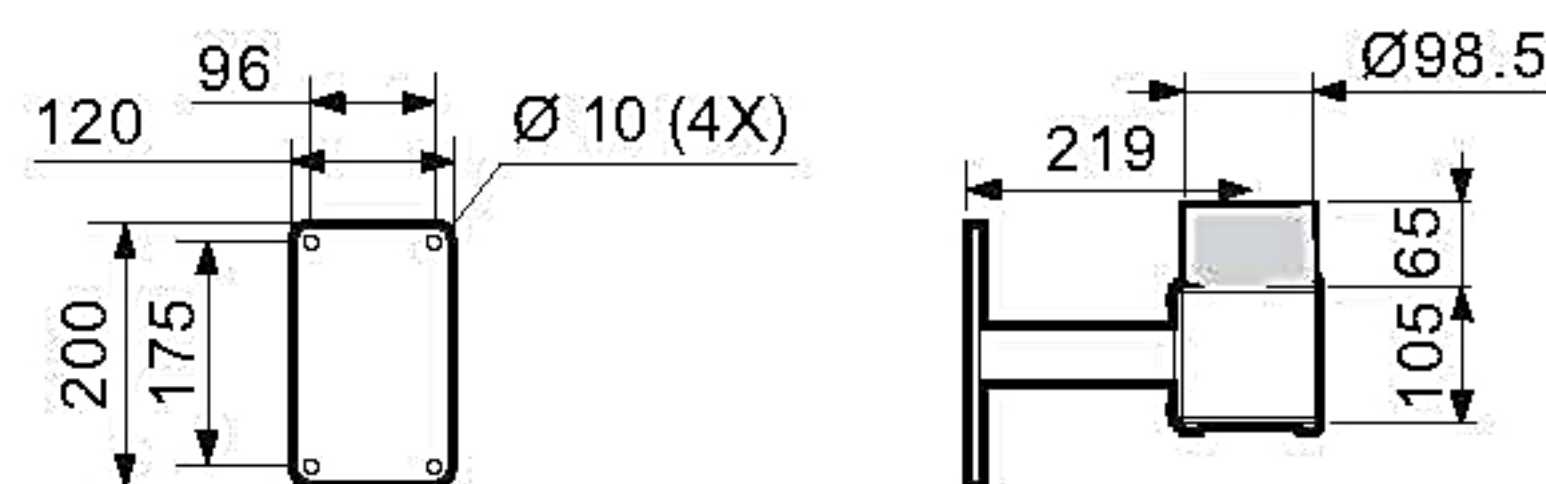
DESIGNATION	WEIGHT (Kg)
MTI CT	0.05



## MVK WALL BRACKET

Included as standard for a wall-mounted arm. Wall brackets can be special ordered in custom horizontal and vertical lengths. As well as the standard design, the bracket is available in an ESD (ES) version.

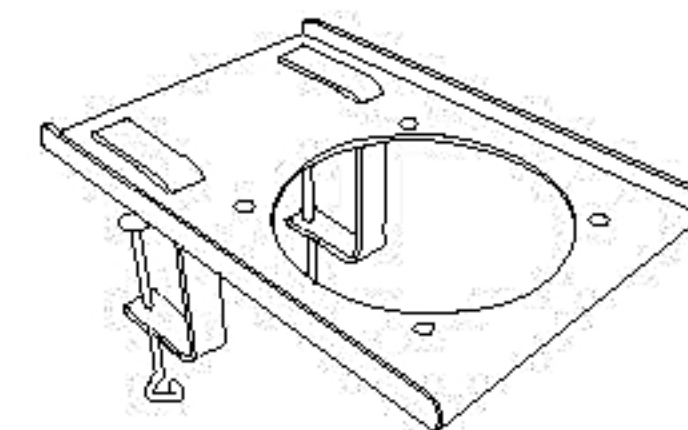
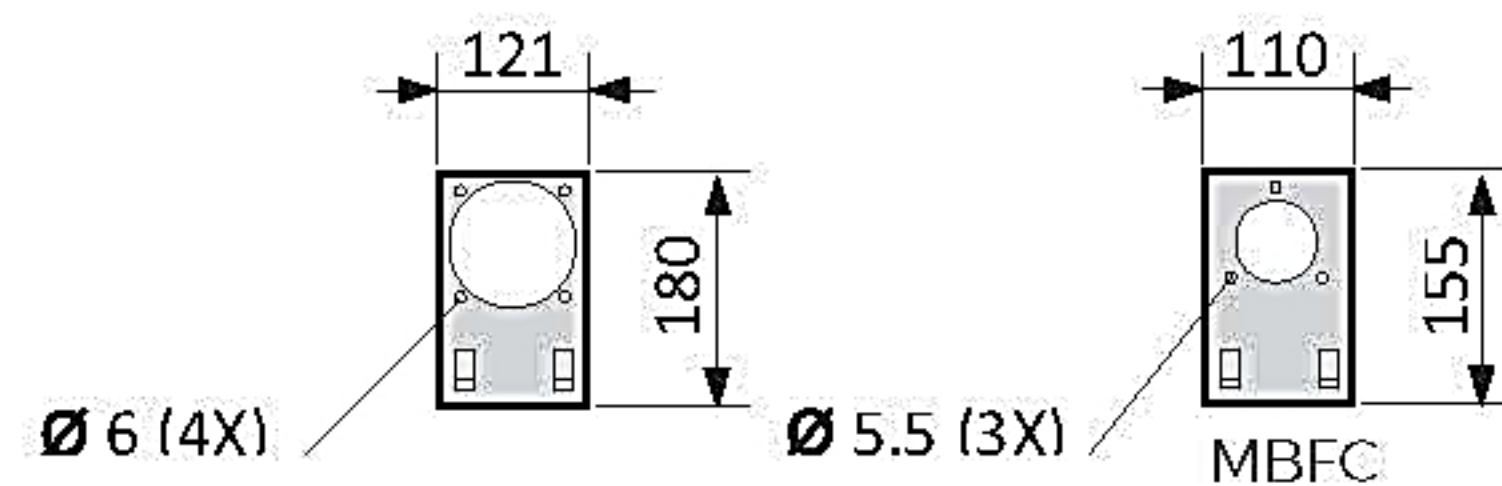
DESIGNATION	WEIGHT (Kg)
MVK	2.15



## MBF FLEXIBLE TABLE BRACKET

Flexible bracket for attaching to a table-top or shelving. Supplied complete with two clamps. As well as the standard design, the table bracket is available in an ESD (ES) version.

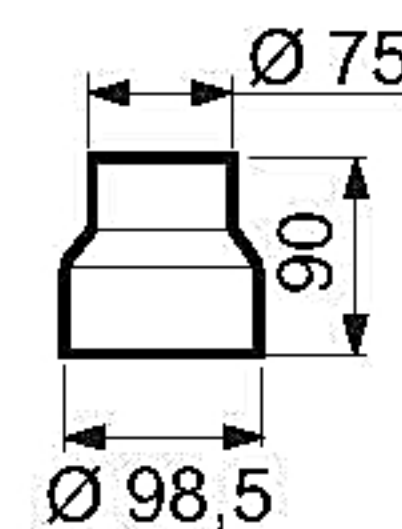
DESIGNATION	WEIGHT (Kg)
MVK	0.75



## MRM REDUCING SLEEVE

Polypropylene, fits standard Ø 98.5 mm attachment, for reducing down to Ø 75

DESIGNATION	WEIGHT (Kg)
MRM 100-75	0.08







## TECHNICAL DATA

MATERIAL	DESCRIPTION
Friction Joints	Ball bearing-equipped adjustable friction joints in polypropylene (PP), with guide ring in low friction-treated rubber. Support springs and other component parts in zinc-plated steel or stainless steel.
Tubes	Made from thin-walled anodised aluminium. Air-tight damper supplied as standard.
ME Standard	The standard ME version has polypropylene joints and anodised aluminium tubes. The standard ME version is suitable for evacuating most types of airborne contaminants, e.g. in laboratories, schools, hospitals, the pharmaceutical industry, hairdressing salons and light industrial applications.
ME ESD	Joints are made from conductive polypropylene, making the entire arm electrically conductive and diverting any static electricity to a separate earth connection. The ESD version of the ME is suitable for the evacuation of airborne contaminants in environments where there is a need to avoid the risk of spark formation caused by static electricity and in areas where products need to be ESD-certified for use, e.g. the electronics industry. The ME ESD has been approved in accordance with EN 61340-5-1.
ME ATEX	Conductive polypropylene joints and tubes. All metallic parts that are in contact with the air flow are made of stainless steel. Static electricity is diverted to a separate earth connection. All steel supporting parts are lined in a conductive powder coating. The product meets the requirements of category 2 of the ATEX directive (94/9/EC) for gases and dust. The ATEX version of the ME is suitable for evacuating airborne contaminants where there is a requirement for ATEX-classified products, e.g. laboratories, the chemical and petrochemical industries, gas distribution, and the paint and pharmaceutical industries.
ME ESD	Joints and tubes are made from conductive polypropylene, making the entire arm electrically conductive and diverting any static electricity to a separate earth connection. The ESD version of the ME is suitable for the evacuation of airborne contaminants in environments where there is a need to avoid the risk of spark formation caused by static electricity and in areas where products need to be ESD-certified for use, e.g. the electronics industry. The ME ESD has been approved in accordance with EN 61340-5-1.
<b>DELIVERY</b>	
MET Ceiling Bracket	Supplied assembled, excluding hood or suction nozzle. The MTI or MTF ceiling brackets should be ordered separately.
MET Wall Bracket	Supplied assembled, excluding hood or suction nozzle. MVK wall bracket should be ordered separately.
MEB Table Bracket	Supplied assembled, with attachment plate for table fitting, excluding hood or suction nozzle. The MBF flexible table bracket should be ordered separately.